

SR920 (B599)

SR920 (B599)

PARTS CATALOG

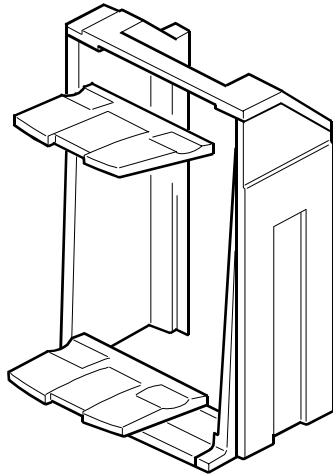
This catalog gives the numbers and names of parts on this machine.

LOCATION OF UNIT	2	18.LOWER PAPER EXIT 2 (B599)	40
1.EXTERIOR 1 (B599)	6	19.LOWER SHIFT TRAY 1 (B599).....	42
2.EXTERIOR 2 (B599)	8	20.LOWER SHIFT TRAY 2 (B599).....	44
3.PUNCH FRAME 1 (B599)	10	21.DRIVE SECTION (B599).....	46
4.PUNCH FRAME 2 (B599)	12	22.ELECTRICAL SECTION (B599).....	48
5.PAPER TRANSFER 1 (B599)	14	23.MAIN CONTROL BOARD NA (B599)	50
6.PAPER TRANSFER 2 (B599)	16	24.MAIN CONTROL BOARD EU (B599)	54
7.PAPER TRANSFER 3 (B599)	18	25.DECAL AND DOCUMENT (B599)	58
8.STAPLE TRAY 1 (B599)	20	PARTS INDEX.....	61
9.STAPLE TRAY 2 (B599)	22		
10.STAPLE UNIT 1 (B599)	24		
11.STAPLE UNIT 2 (B599)	26		
12.UPPER PAPER EXIT 1 (B599).....	28		
13.UPPER PAPER EXIT 2 (B599).....	30		
14.UPPER SHIFT TRAY 1 (B599)	32		
15.UPPER SHIFT TRAY 2 (B599)	34		
16.UPPER SHIFT TRAY 3 (B599)	36		
17.LOWER PAPER EXIT 1 (B599)	38		

October ,30 ' 2003

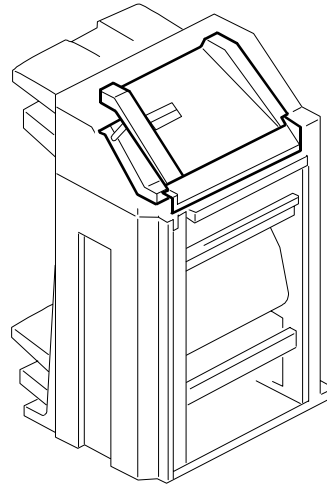
LOCATIONS OF UNITS

1. EXTERIOR 1 (B599)



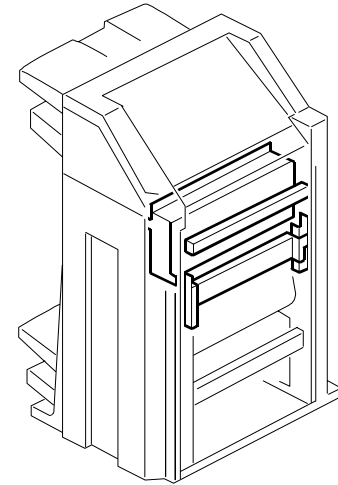
See Page 7

2. EXTERIOR 2 (B599)



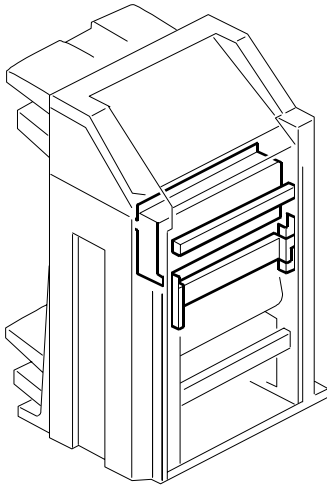
See Page 9

3. PUNCH FRAME 1 (B599)



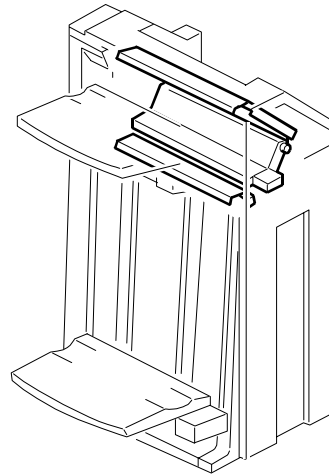
See Page 11

4. PUNCH FRAME 2 (B599)



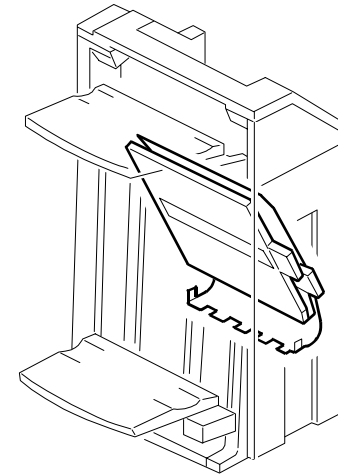
See Page 13

5. PAPER TRANSFER 1 (B599)



See Page 15

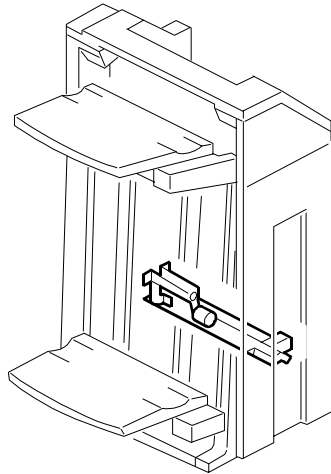
6. PAPER TRANSFER 2 (B599)



See Page 17

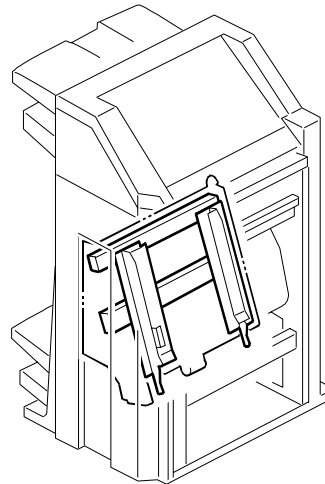
LOCATIONS OF UNITS

7. PAPER TRANSFER 3 (B599)



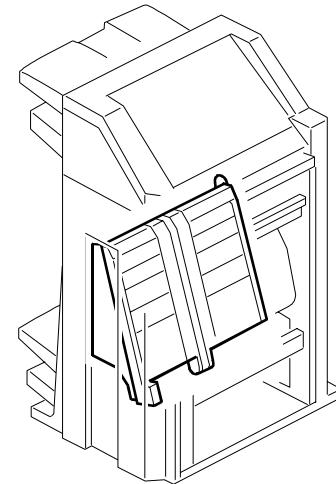
See Page 19

8. STAPLE TRAY 1 (B599)



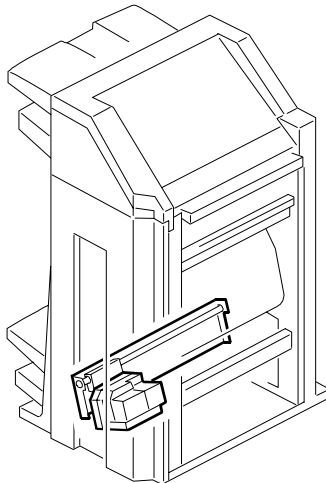
See Page 21

9. STAPLE TRAY 2 (B599)



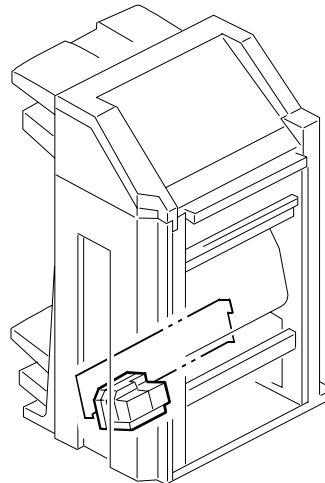
See Page 23

10. STAPLE UNIT 1 (B599)



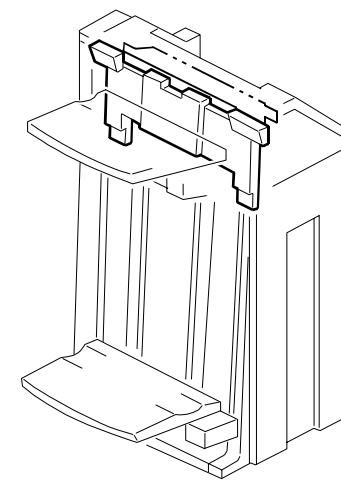
See Page 25

11. STAPLE UNIT 2 (B599)



See Page 27

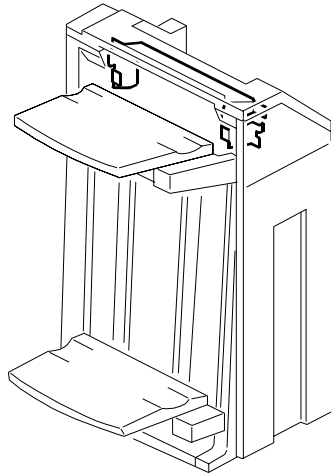
12. UPPER PAPER EXIT 1 (B599)



See Page 29

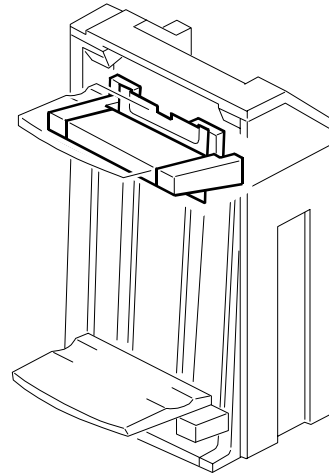
LOCATIONS OF UNITS

13. UPPER PAPER EXIT 2 (B599)



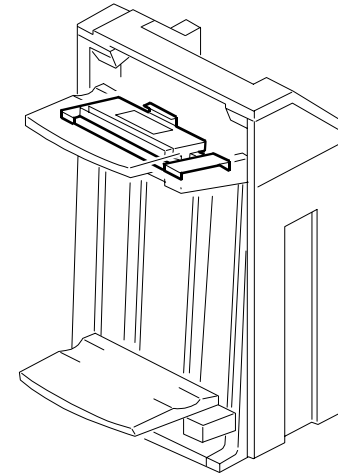
See Page 31

14. UPPER SHIFT TRAY 1 (B599)



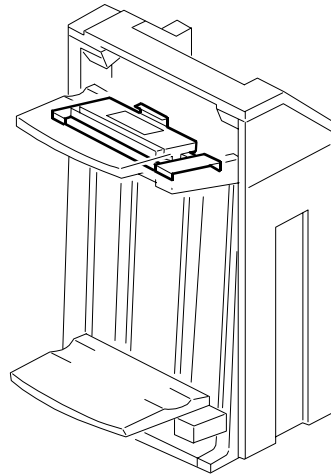
See Page 33

15. UPPER SHIFT TRAY 2 (B599)



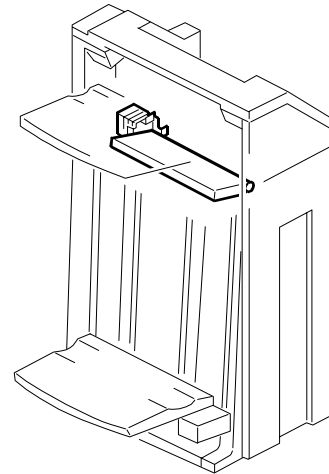
See Page 35

16. UPPER SHIFT TRAY 3 (B599)



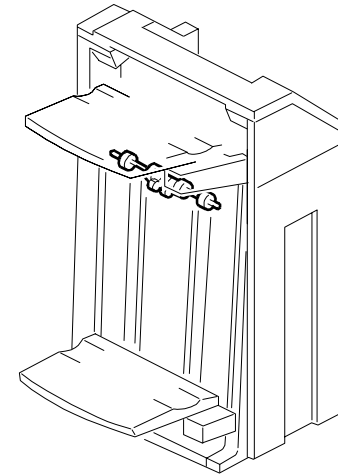
See Page 37

17. LOWER PAPER EXIT 1 (B599)



See Page 39

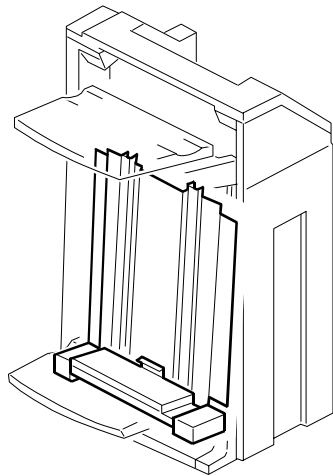
18. LOWER PAPER EXIT 2 (B599)



See Page 41

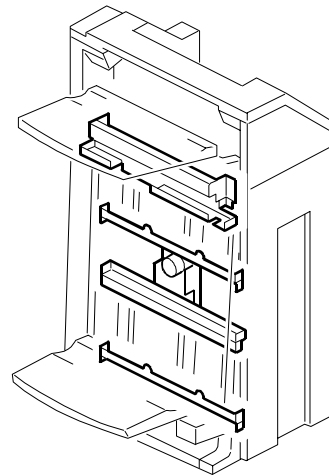
LOCATIONS OF UNITS

19. LOWER SHIFT TRAY 1 (B599)



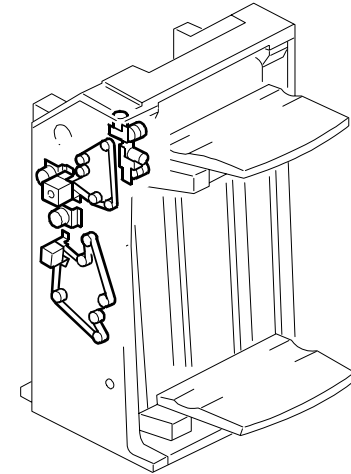
See Page 43

20. LOWER SHIFT TRAY 2 (B599)



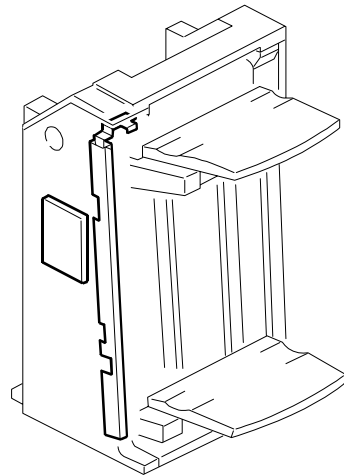
See Page 45

21. DRIVE SECTION (B599)



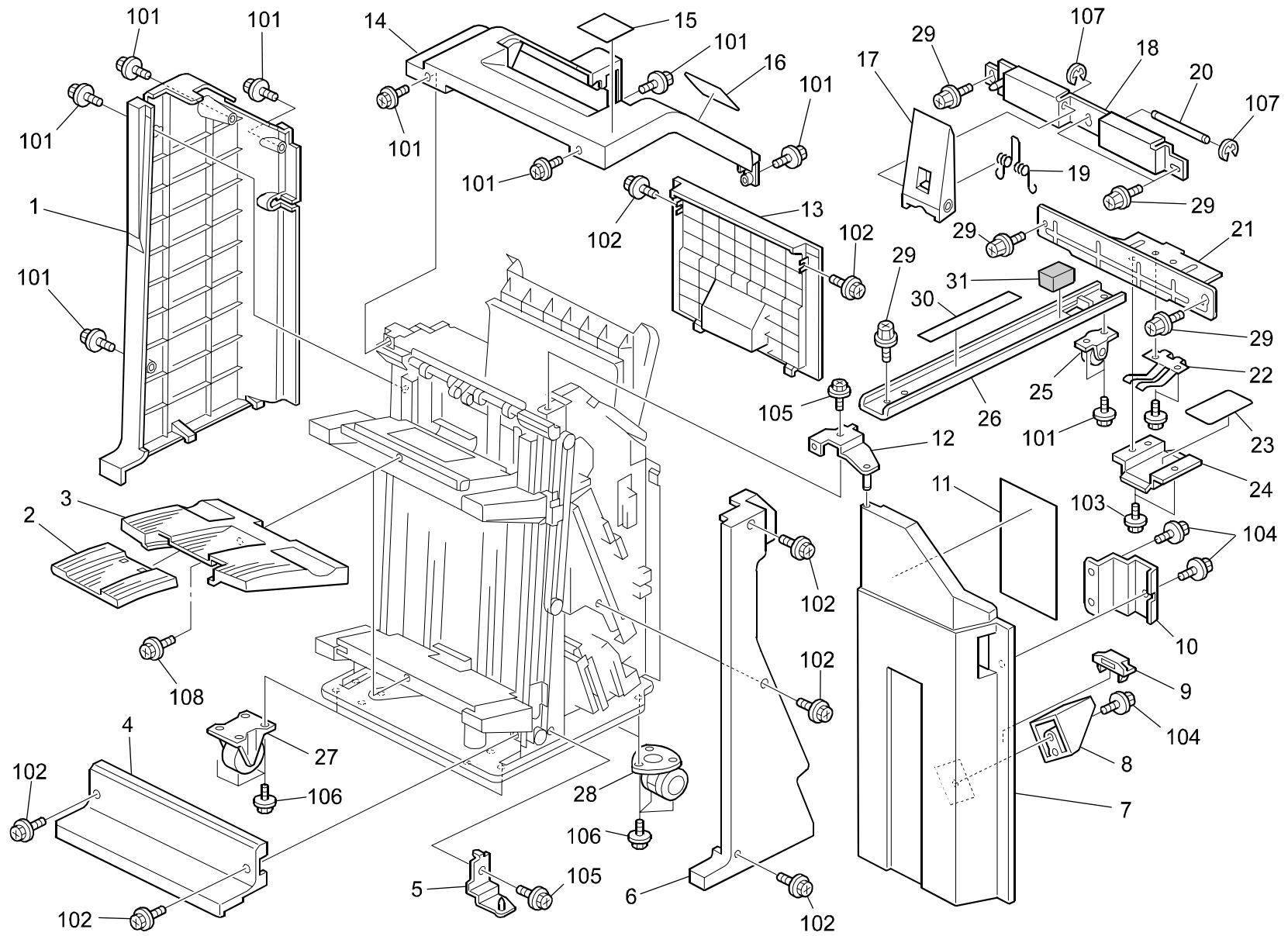
See Page 47

22. ELECTRICAL SECTION (B599)



See Page 51

1.EXTERIOR 1 (B599)

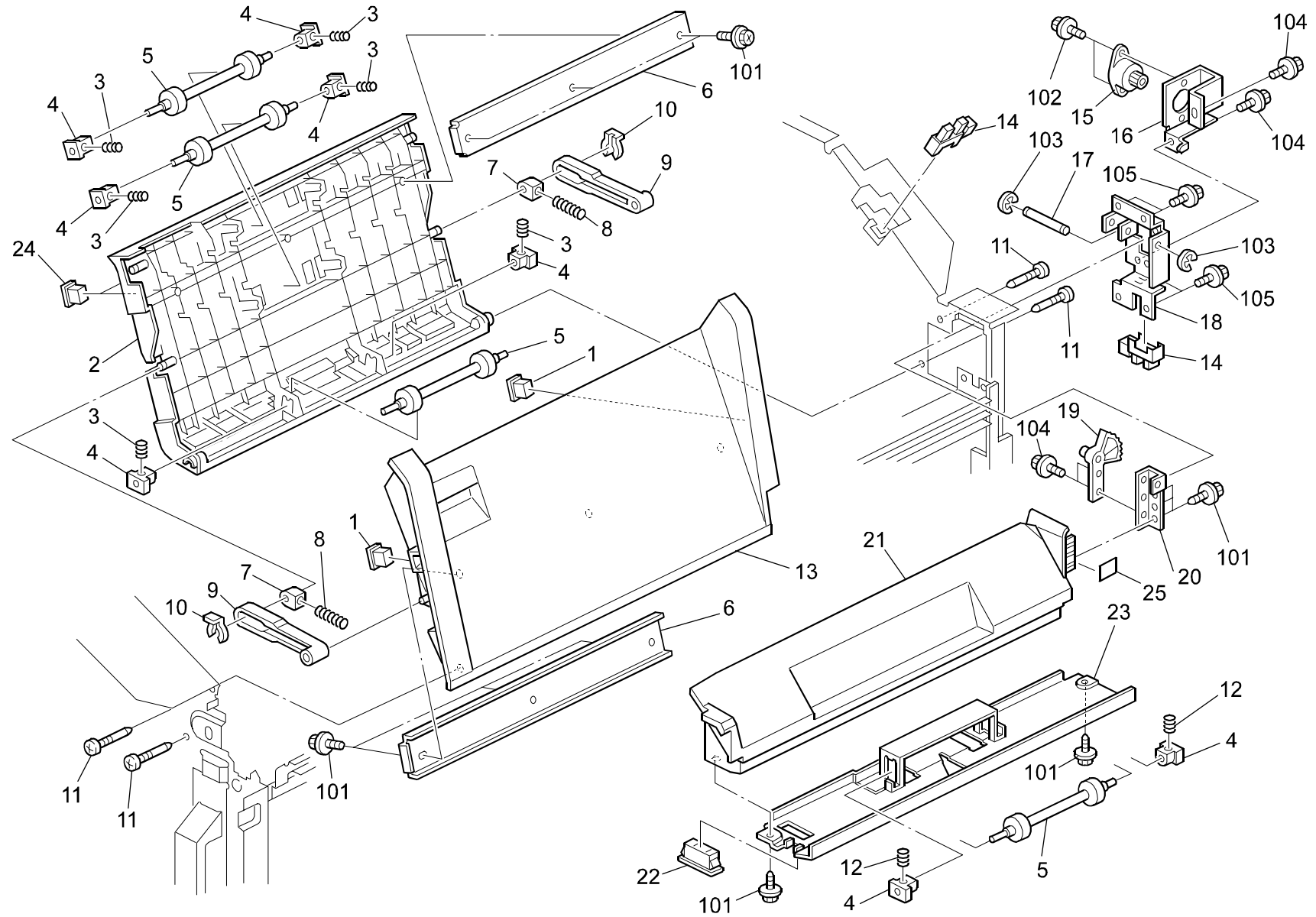


1.EXTERIOR 1 (B599)

Index No.	Part No.	Description	Q'ty Per Assembly
1	G565 6301	Rear Cover	1
2	G565 3921	Slide Tray	1
3	G565 3911	Shift Tray	1
4	G565 6451	Lower Left Cover	1
5	B545 6206	Lower Hinge - Front Door	1
6	G565 6501	Inner Cover	1
7	G565 6201	Front Cover	1
8	A606 1595	Small Door Cover	1
9	G020 2630	Magnetic Catch	1
10	G565 6202	Auxiliary Grip Cover	1
11	G565 7351	Decal - Misfeed Removal	1
12	B545 6203	Upper Hinge - Frontdoor	1
13	G565 6111	Lower Right Cover	1
14	G565 6100	Upper Cover	1
15	G565 1304	Rail Cushion	1
16	G565 7340	Slide Decal	1
17	G565 1330	Stay Guide Plate	1
18	G565 1315	Fixing Stay	1
19	G565 1325	Torsion Spring	1
20	G565 1320	Stay Coupling Shaft	1
21	G565 1340	Paper Bank Rail Stay	1
22	G565 1350	Paper Bank Ground Plate	1
23	G565 1346	Rail Guide Tape	1
24	G565 1345	Slide Rail Guide	1
25	G565 1302	Caster - KD25NM	1
26	G565 1301	Coupling Rail	1
27	G565 1140	Caster:40kgf	2
28	AH01 2019	Caser	2
29	G522 1152	Flanged Hexagonal Head Bolt	5
30	G565 1305	Tape:Rail	1
31	G565 1304	Rail Cushion	1

Index No.	Part No.	Description	Q'ty Per Assembly
101	0802 5277	Tapping Screw	
102	0451 3008H	Tapping Screw - M3x8	
103	0802 5276	Tapping Screw With Washer - M3x6	
104	0450 3008B	Tapping Screw - M3x8	
105	0451 3006B	Tapping Screw - M3x6	
106	0451 4008B	Philips Tapping Screw - M4x8	
107	0720 0040B	Retaining Ring - M4	
108	G034 2986	Flanged Hexagonal Head Bolt - M4x8	

2.EXTERIOR 2 (B599)

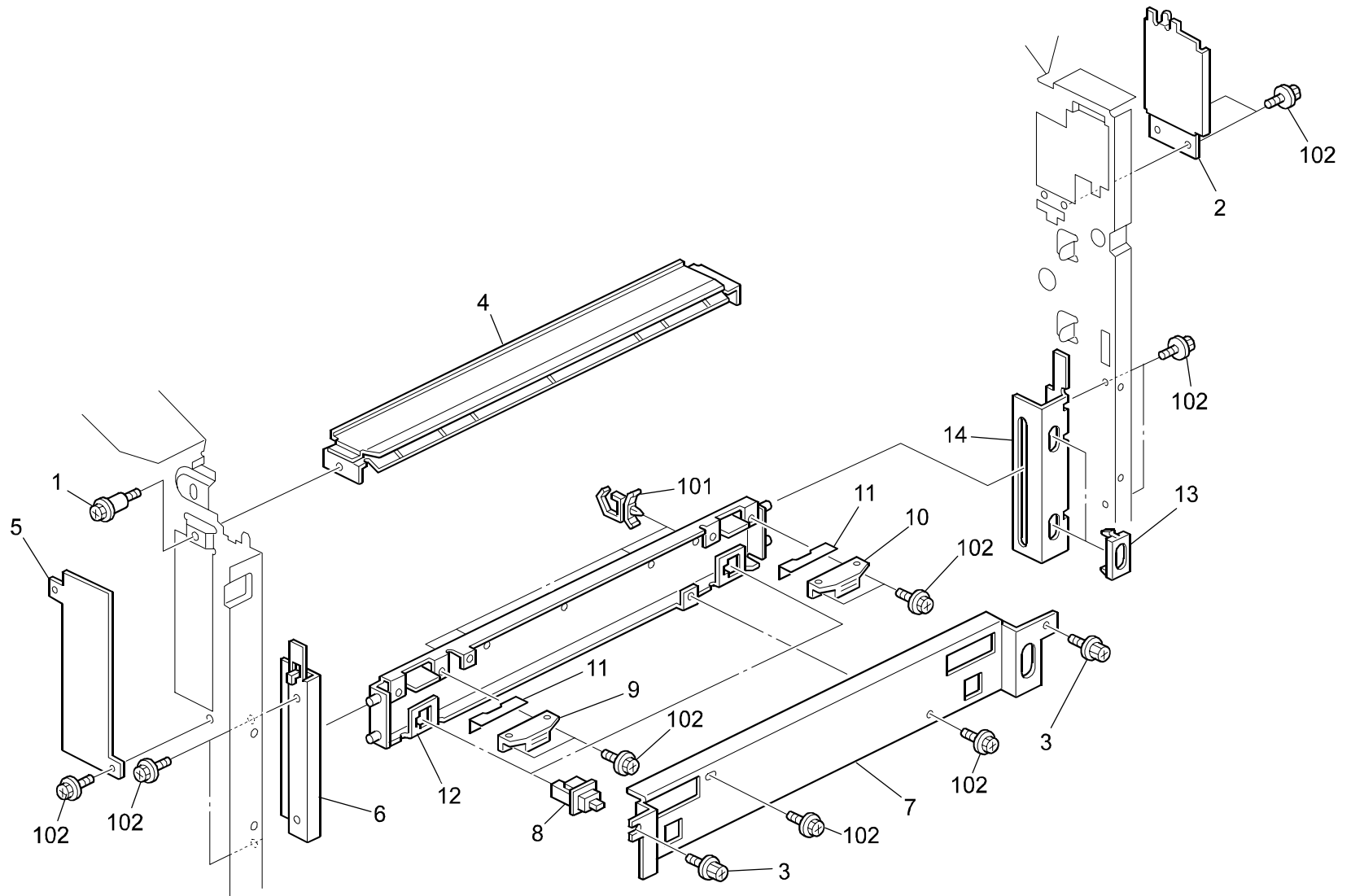


2.EXTERIOR 2 (B599)

Index No.	Part No.	Description	Q'ty Per Assembly
1	B352 2650	Magnet Catch - 5n	2
2	B352 2111	Guide Plate - Transport Cover	1
3	AA06 3529	Pressure Spring - 14.5mm	6
4	B352 2205	Bushing - Driven Roller	8
5	B352 2204	Driven Roller	4
6	A612 2435	Support Plate	1
7	B352 2113	Link Spacer	2
8	G565 2110	Compression Spring - Transportcover	2
9	B352 2112	Link - Transport Cover	2
10	5447 2681	Snap Ring	2
11	5446 2824	Screw - Duplex Guide Plate	4
12	B352 3656	Compression Spring - Switch	2
13	G565 2100	Transport Cover	1
14	AW02 0086	Photointerruptor	2
15	B352 2140	Oil Damper	1
16	B545 2137	Bracket - Oil Damper	1
17	B352 2136	Oil Damper Shaft	1
18	B545 2139	Bracket - Transport Cover	1
19	B352 2135	Sector Gear - Transport Cover	1
20	B545 2138	Bracket - Entrance Cover	1
21	G565 2151	Entrance Cover	1
22	A680 1181	Magnetic Catch	1
23	B545 2101	Guide Plate - Entrance Cover	1
24	A049 3371	Magnet	2
25	B545 2105	Film:Shielding Plate	1

Index No.	Part No.	Description	Q'ty Per Assembly
101	0450 3010B	Tapping Screw - M3x10	
102	0451 4006B	Tapping Screw - 4x6	
103	0720 0040B	Retaining Ring - M4	
104	0451 3006B	Tapping Screw - M3x6	
105	0802 5276	Tapping Screw With Washer - M3x6	

3.PUNCH FRAME 1 (B599)

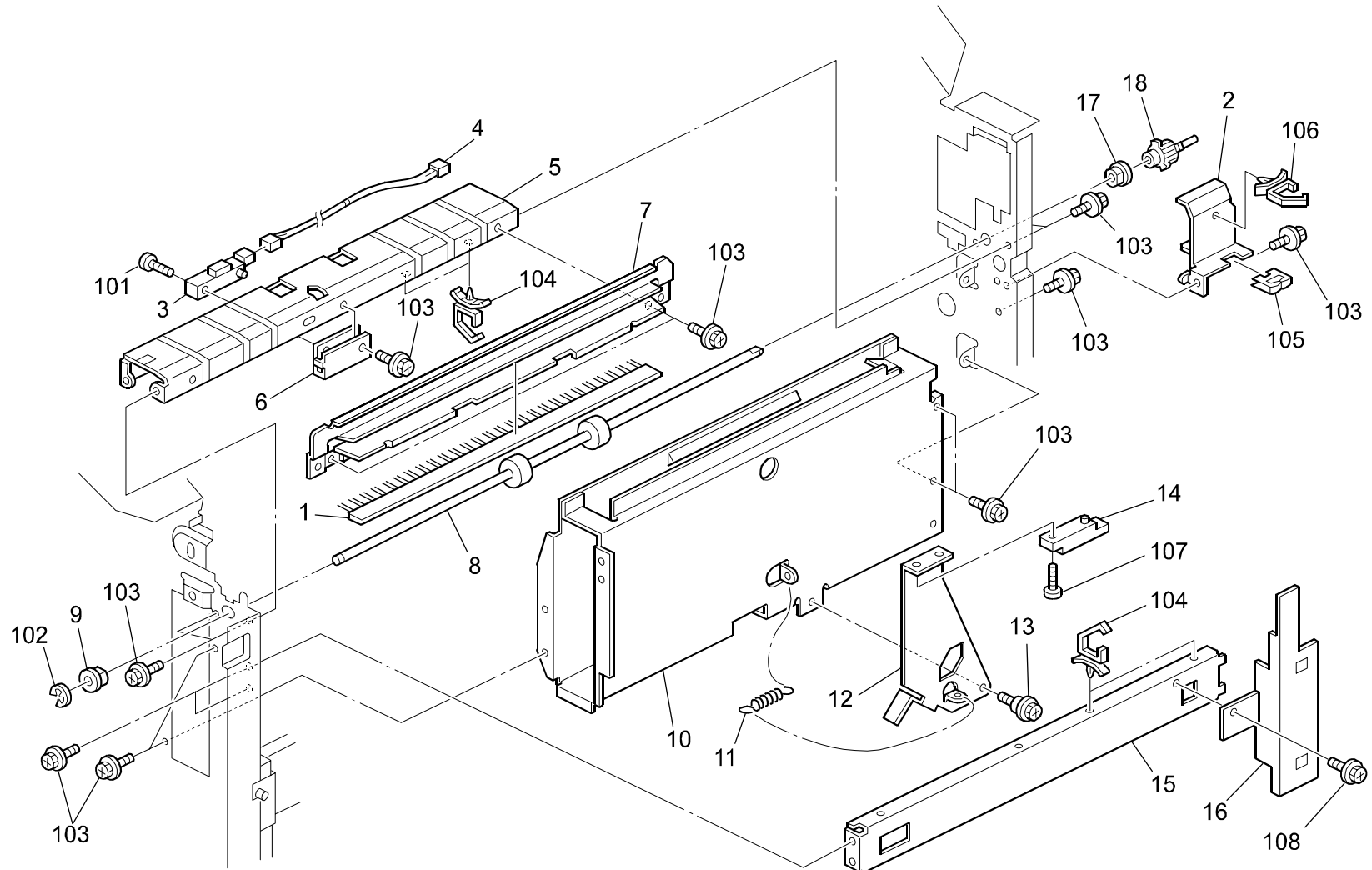


3.PUNCH FRAME 1 (B599)

Index No.	Part No.	Description	Q'ty Per Assembly
1	B352 7507	Punch Screw	1
2	B545 2506	Rear Cover - Punch Unit	1
3	G034 2993	Flanged Hexagonal Head Bolt - M3x6	2
4	B545 2500	Guide Plate:Auxiliary:Punch:Ass'y	1
5	B545 2505	Front Cover - Hopper	1
6	G565 1200	Front Supporter	1
7	G565 1215	Coupling Cover	1
8	AW50 0012	Push Switch	2
9	G565 1225	Magnet Catch - 78.4n	1
10	AG07 0004	Magnetic Catch	1
11	G565 1230	Ground Plate - Door Catch	2
12	G565 1220	Coupling Stay	1
13	G565 1210	Positioning Pin Guide	1
14	G565 1205	Inner Back Supporter	1

Index No.	Part No.	Description	Q'ty Per Assembly
101	1105 0511	Harness Clamp - LWS-0306ZC	
102	0451 3006B	Tapping Screw - M3x6	
103	0451 3008B	Tapping Screw - M3x8	
104	1105 0328	Harness Clamp - ES-0505	

4.PUNCH FRAME 2 (B599)

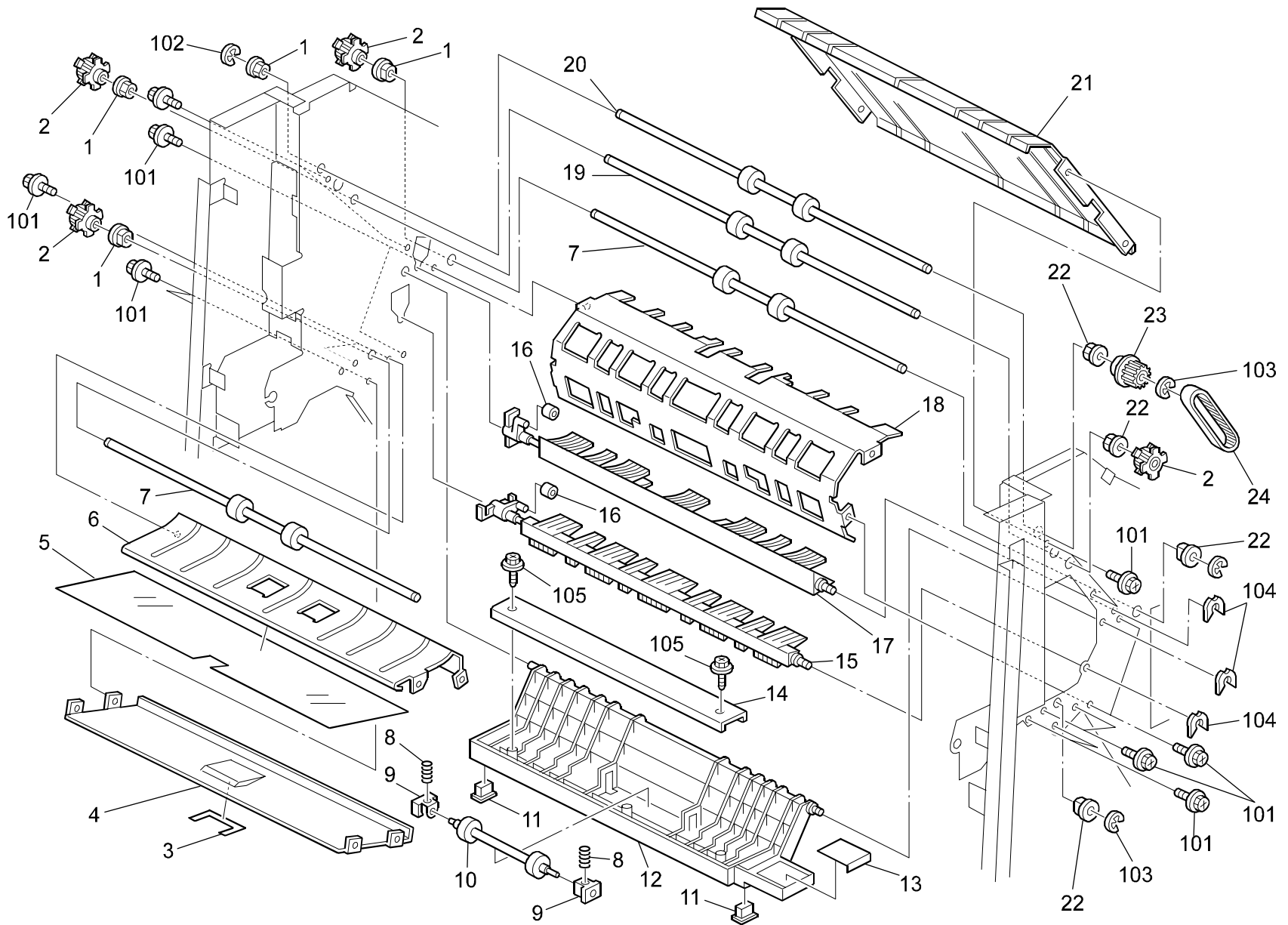


4.PUNCH FRAME 2 (B599)

Index No.	Part No.	Description	Q'ty Per Assembly
1	G565 2253	Discharge Brush	1
2	B545 1135	Angle:Harness Clamp	1
3	AW01 0089	Photosensor - GP2A28C	1
4	B545 5300	Harness:Connecting:240mm	1
5	A697 2150	Lower Entrance Guide	1
6	A697 2145	Entrance Sensor Bracket	1
7	G565 2250	Guide Plate - Connecting Ass'y	1
8	B352 2620	Lower Transport Roller	1
9	G800 3089	Bushing - 6mm	1
10	A697 1151	Hopper Bracket	1
11	A812 7331	Lock Spring	1
12	A812 7323	Dust Hopper Stopper	1
13	A697 1125	Stepped Screw - Lever	1
14	AW01 0070	Photosensor - PS-R11D1-B	1
15	B408 1413	Coupling Stay	1
16	G565 6120	Coupling Guard Cover	1
17	AA08 0238	Bushing - M6	1
18	B352 1602	Timing Pulley - T20-S2M	1

Index No.	Part No.	Description	Q'ty Per Assembly
101	0313 0120B	Philips Pan Head Screw - M3x12	
102	0720 0040B	Retaining Ring - M4	
103	0451 3006B	Tapping Screw - M3x6	
104	1105 0511	Harness Clamp - LWS-0306ZC	
105	1105 0329	Clamp - ES-0510	
106	1105 0310	Harness Clamp - LWS-1S	
107	0313 0100B	Philips Pan Head Screw - M3x10	
108	0451 3008H	Tapping Screw - M3x8	

5.PAPER TRANSFER 1 (B599)

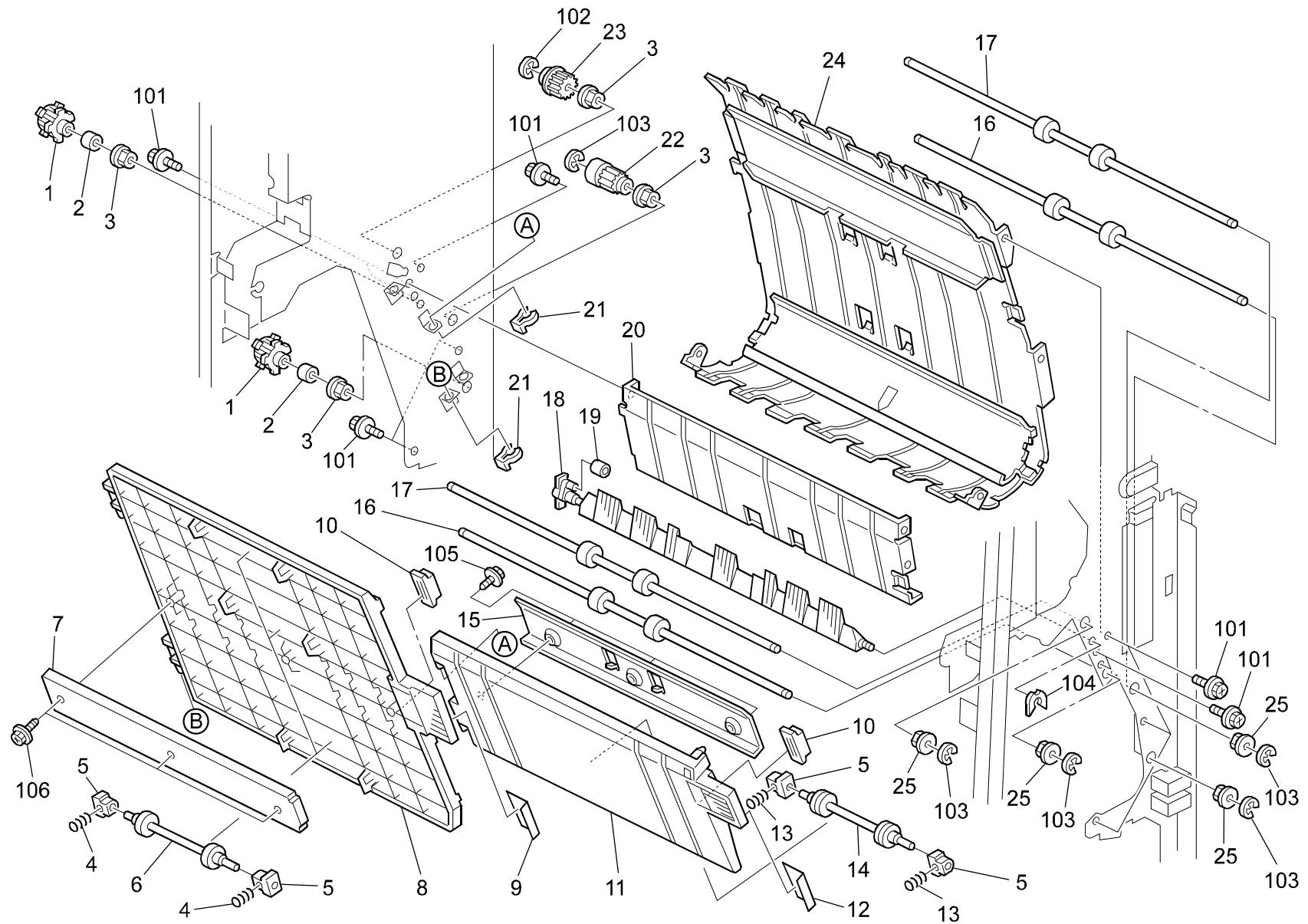


5.PAPER TRANSFER 1 (B599)

Index No.	Part No.	Description	Q'ty Per Assembly
1	AA08 0238	Bushing - M6	3
2	B352 1607	Timing Pulley - T20-S3M	4
3	B352 2235	Mylar - Exit Guide	1
4	B545 2217	Exit Guide Plate	1
5	B352 2431	Sheet - Guide Plate	1
6	B545 2430	Guide Plate - Turn Gate	1
7	B352 2610	Shift Transport Roller	2
8	AA06 3529	Pressure Spring - 14.5mm	2
9	B352 2205	Bushing - Driven Roller	2
10	B352 2204	Driven Roller	1
11	B352 2650	Magnet Catch - 5n	2
12	B352 2420	Guide Plate - Shift Tray	1
13	B352 7101	Decal - R1	1
14	B545 2450	Support Plate - Guide Plate	1
15	B352 2440	Junction Gate - Stapler Tray	1
16	A458 2251	Cushion - Bin Solenoid Lever	2
17	A697 2245	Junction Gate - Proof Tray	1
18	B545 2425	Lower4 Turn Guide Plate	1
19	B352 2600	Upper Transport Roller	1
20	B312 2176	Transport Roller	1
21	B545 2110	Upper Guide Plate	1
22	5053 0447	Bushing - 6mm	4
23	B352 1606	Timing Pulley - T20-S3M	1
24	B352 1605	Timing Belt - B40S3M216	1

Index No.	Part No.	Description	Q'ty Per Assembly
101	0451 3006B	Tapping Screw - M3x6	
102	0720 0040B	Retaining Ring - M4	
103	0720 0040B	Retaining Ring - M4	
104	0805 0089	Retaining Ring - M4	
105	0450 3008B	Tapping Screw - M3x8	

6.PAPER TRANSFER 2 (B599)

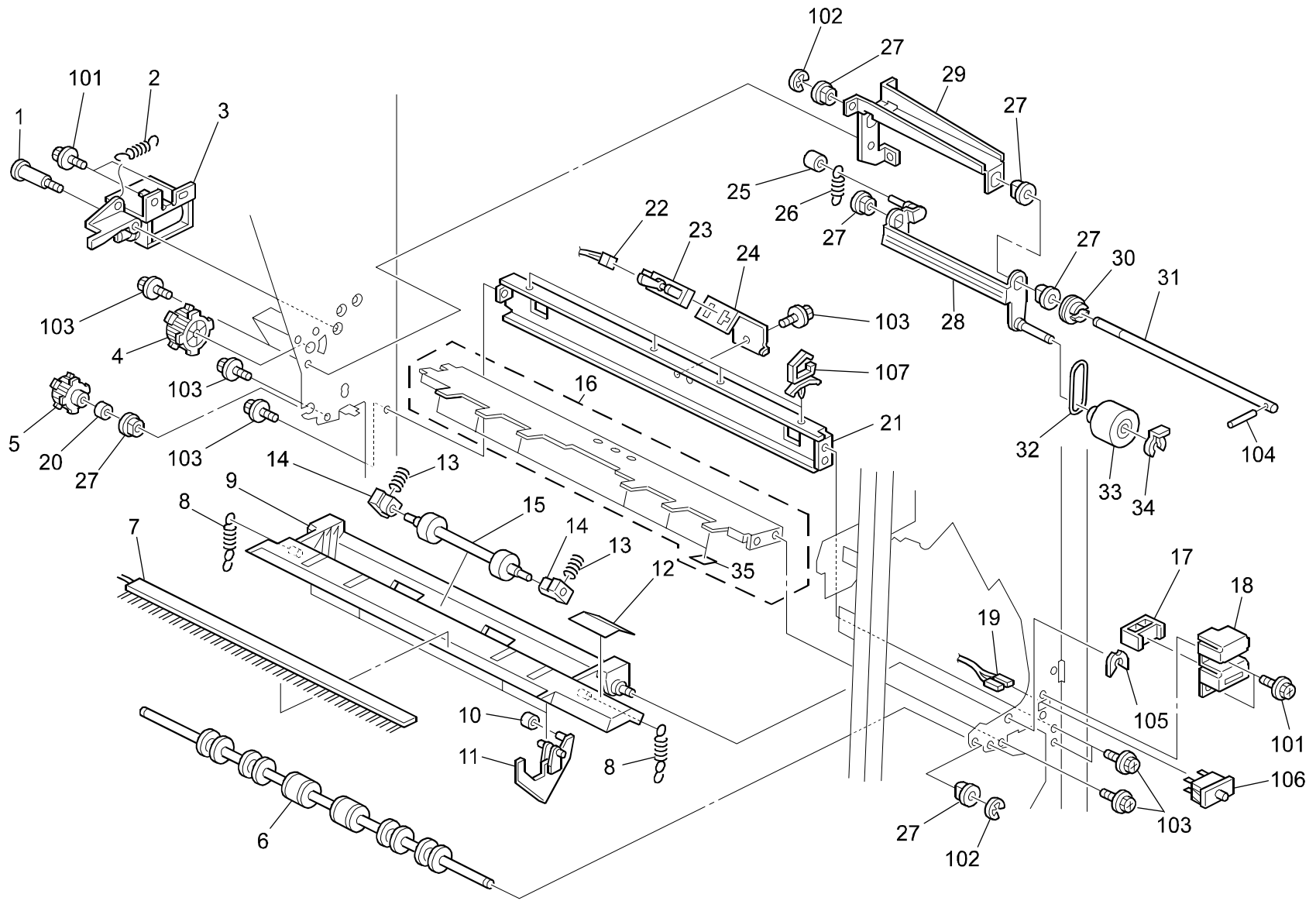


6.PAPER TRANSFER 2 (B599)

Index No.	Part No.	Description	Q'ty Per Assembly
1	B352 1607	Timing Pulley - T20-S3M	2
2	A376 1295	Spacer - M6x10x5	2
3	AA08 0238	Bushing - M6	4
4	AA06 3529	Pressure Spring - 14.5mm	6
5	B352 2205	Bushing - Driven Roller	8
6	B352 2204	Driven Roller	3
7	A612 2435	Support Plate	1
8	B312 2151	Left Guide - Vertical Transport	1
9	B352 7151	Decal - R2	1
10	AG07 1010	Magnet Catch	2
11	B312 2171	Middle Guide - Vertical Transport	1
12	B352 7201	Decal - R3	1
13	B312 2174	Pressure Spring - 12mm	2
14	B312 2172	Driven Roller	1
15	B312 2173	Support Plate	1
16	B352 2620	Lower Transport Roller	1
17	B312 2176	Transport Roller	2
18	B312 2100	Pre-stack Gate	2
19	A458 2251	Cushion - Bin Solenoid Lever	1
20	B312 2166	Vertical Guide	1
21	5447 2681	Snap Ring	2
22	B312 1521	Timing Pulley - 20T	1
23	B352 1606	Timing Pulley - T20-S3M	1
24	B545 2210	Vertical Transport Guide	1
25	5053 0447	Bushing - 6mm	4

Index No.	Part No.	Description	Q'ty Per Assembly
101	0451 4006B	Tapping Screw - 4x6	
102	0720 0040B	Retaining Ring - M4	
103	0720 0040B	Retaining Ring - M4	
104	0805 0089	Retaining Ring - M4	
105	0452 3008B	Tapping Screw - M3x8	
106	0450 3008B	Tapping Screw - M3x8	

7.PAPER TRANSFER 3 (B599)

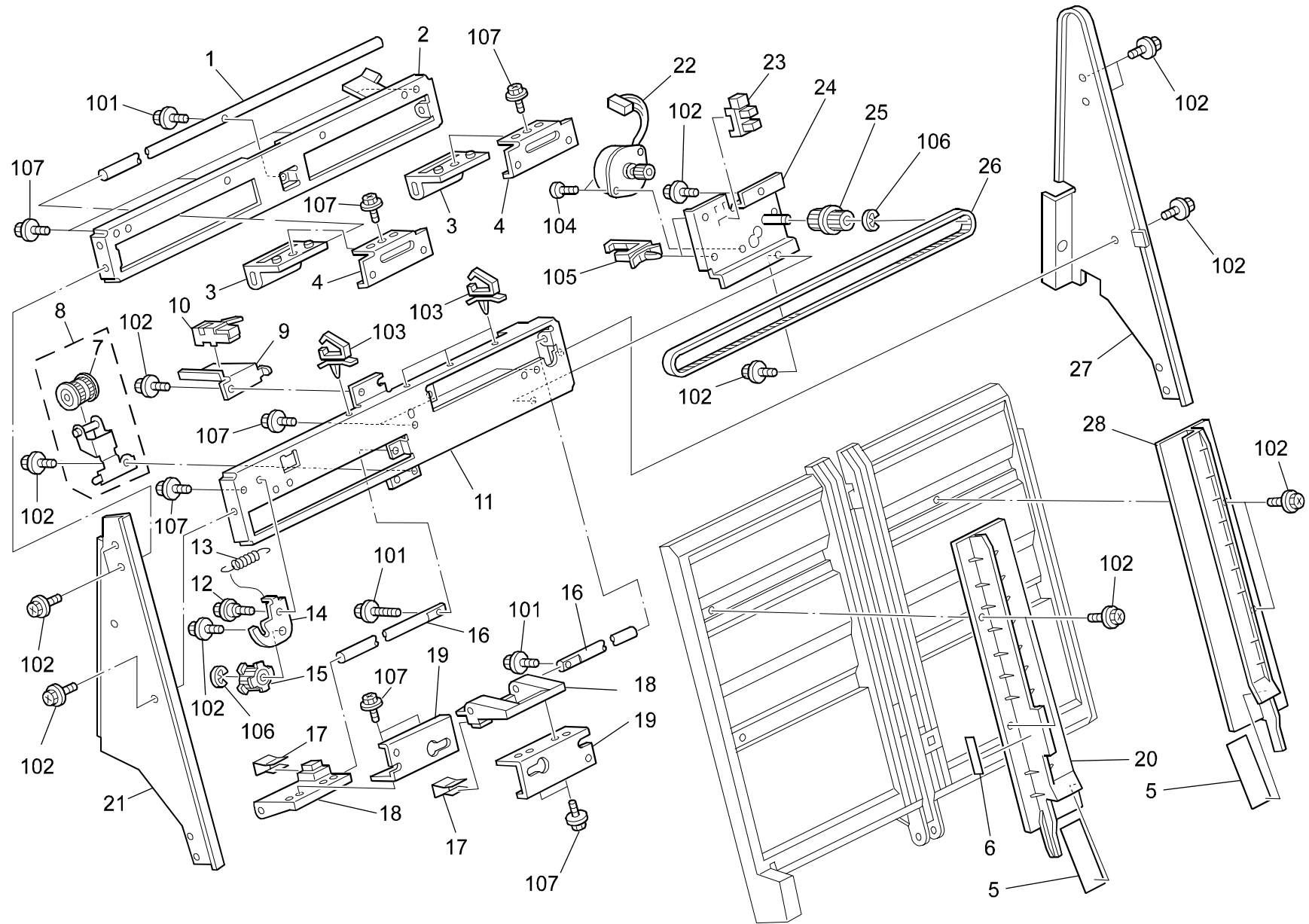


7.PAPER TRANSFER 3 (B599)

Index No.	Part No.	Description	Q'ty Per Assembly
1	A300 3858	Stepped Screw - M4	1
2	A300 3865	Release Spring	1
3	B352 2084	DC Solenoid Assembly	1
4	B352 2445	Pulley - T31	1
5	B352 1607	Timing Pulley - T20-S3M	1
6	B352 2630	Exit Roller - Stapler	1
7	B352 2203	Discharge Brush - Stapler Tray	1
8	B352 2206	Tension Spring - Lower Guide	2
9	B352 2200	Lower Guide Plate	1
10	A458 2251	Cushion - Bin Solenoid Lever	1
11	B352 2201	Guide - Trailing Edge	1
12	B352 7251	Decal - R4	1
13	A697 2187	Pressure Spring - 14.1mm	2
14	B352 2205	Bushing - Driven Roller	2
15	B352 2204	Driven Roller	1
16	B545 2220	Stay:Guide:Trailing Edge:Ass'y	1
17	A821 1662	Interlock Switch Lever	1
18	A821 1661	Interlock Switch Cover	1
19	B545 5210	Harness:Safety Switch	1
20	A376 1295	Spacer - M6x10x5	1
21	A697 1100	Right Stay	1
22	B545 5215	Harness:Sensor:Entrance	1
23	AW02 0049	Photointerruptor - Os - 580213-703	1
24	B545 2215	Exit Sensor Bracket	1
25	AA16 1099	Lever Cushion	1
26	AA06 0557	Positioning Roller Spring	1
27	5053 0447	Bushing - 6mm	4
28	A379 2811	Positioning Roller Arm	1
29	A300 3851	Positioning Roller Bracket	1
30	5919 2127	Positioning Roller Pulley	1
31	B352 2446	Positioning Roller Shaft	1
32	5919 2132	Positioning Roller Belt	1
33	B312 2187	Positioning Roller	1
34	5447 2681	Snap Ring	1
35	G565 2222	Guide - Trailing Edge	6

Index No.	Part No.	Description	Q'ty Per Assembly
101	0451 4006B	Tapping Screw - 4x6	
102	0720 0040B	Retaining Ring - M4	
103	0451 3006B	Tapping Screw - M3x6	
104	0623 0120E	Spring Pin - M3x12	
105	0805 0089	Retaining Ring - M4	
106	1204 2384	Interlock Switch	
107	1105 0511	Harness Clamp - LWS-0306ZC	

8.STAPLE TRAY 1 (B599)

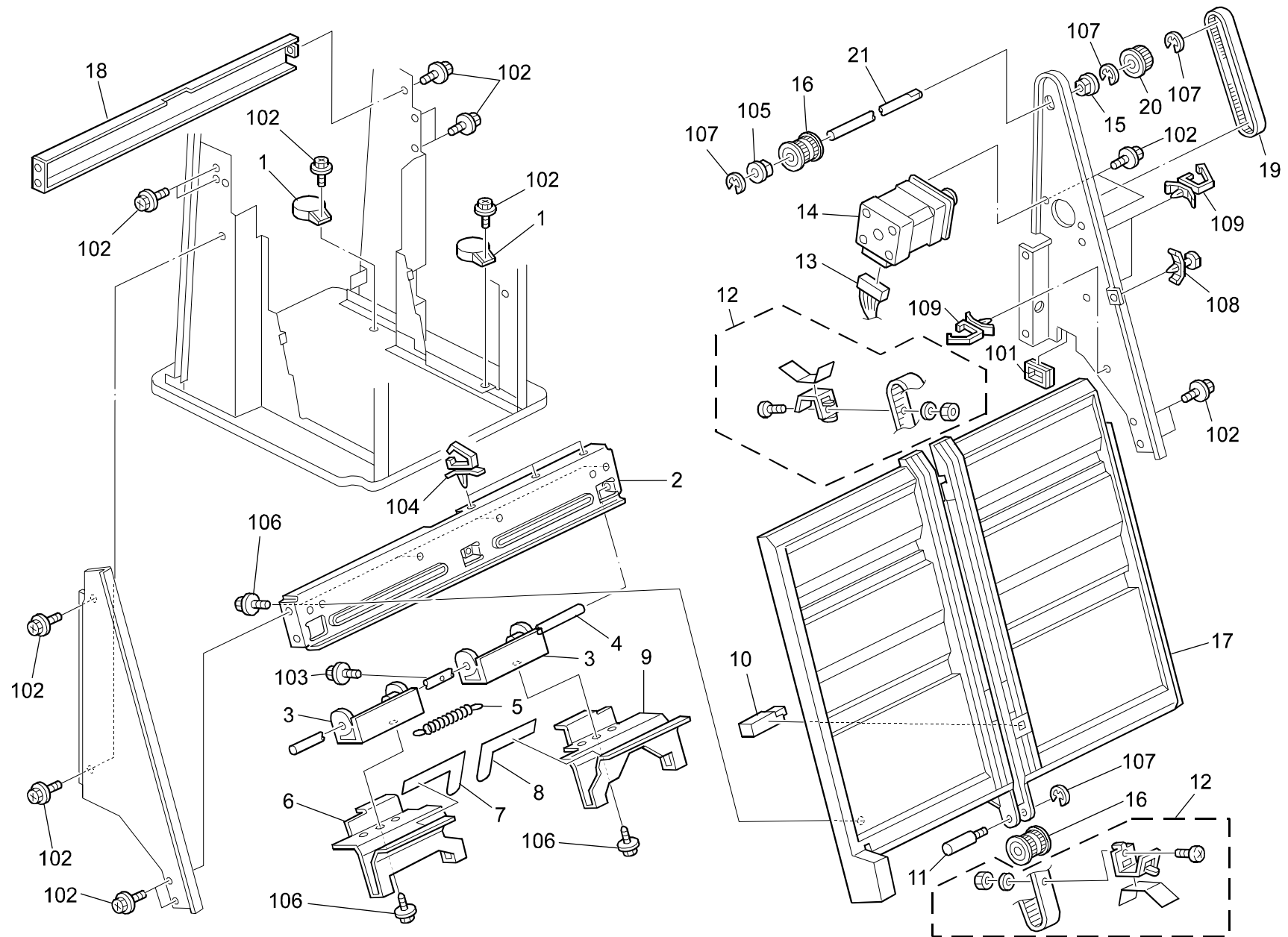


8.STAPLE TRAY 1 (B599)

Index No.	Part No.	Description	Q'ty Per Assembly
1	B352 4215	Shaft - Jogger Fence	1
2	B545 4151	Upper Stay - Jogger Fence	1
3	B352 4152	Upper Slider - Jogger Fence	2
4	B545 4153	Upper Bracket - Jogger Fence	2
5	B302 4629	Guide Mylar	2
6	B352 7301	Decal - R5	1
7	A666 3180	Timing Pulley - Z32	1
8	B352 4261	Tightener - Exit Belt	1
9	B545 4245	Bracket - Pull Out Sensor	1
10	G020 4429	Exit Sensor	1
11	B545 4161	Jogger Fence Stay	1
12	A697 1125	Stepped Screw - Lever	1
13	5442 4121	Spring - Oil Blade	1
14	B545 4181	Tightener	1
15	A697 4170	Pulley - 32T	1
16	B352 4165	Slider Shaft - Jogger Fence	2
17	A300 3634	Spring Plate - Timing Belt	2
18	B352 4162	Jogger Fence Slider	2
19	B545 4163	Jogger Fence Bracket	2
20	B352 4131	Front Jogger Fence	1
21	B545 4111	Side Plate - Front Tray - Stapler	1
22	AX05 0160	Stepper Motor - DC 20W	1
23	AW02 0086	Photointerruptor	1
24	B545 4171	Jogger Motor Bracket	1
25	B352 4175	Timing Pulley - Jogger Drive	1
26	B352 4185	Timing Belt - 940P2M4	1
27	B545 4121	Rear Side Plate - Stapler Tray	1
28	B352 4141	Rear Jogger Fence	1

Index No.	Part No.	Description	Q'ty Per Assembly
101	0451 3008B	Tapping Screw - M3x8	
102	0451 3006B	Tapping Screw - M3x6	
103	1105 0511	Harness Clamp - LWS-0306ZC	
104	0453 3006B	Tapping Screw - M3x6	
105	1105 0310	Harness Clamp - LWS-1S	
106	0720 0040B	Retaining Ring - M4	
107	0450 3008B	Tapping Screw - M3x8	

9.STAPLE TRAY 2 (B599)

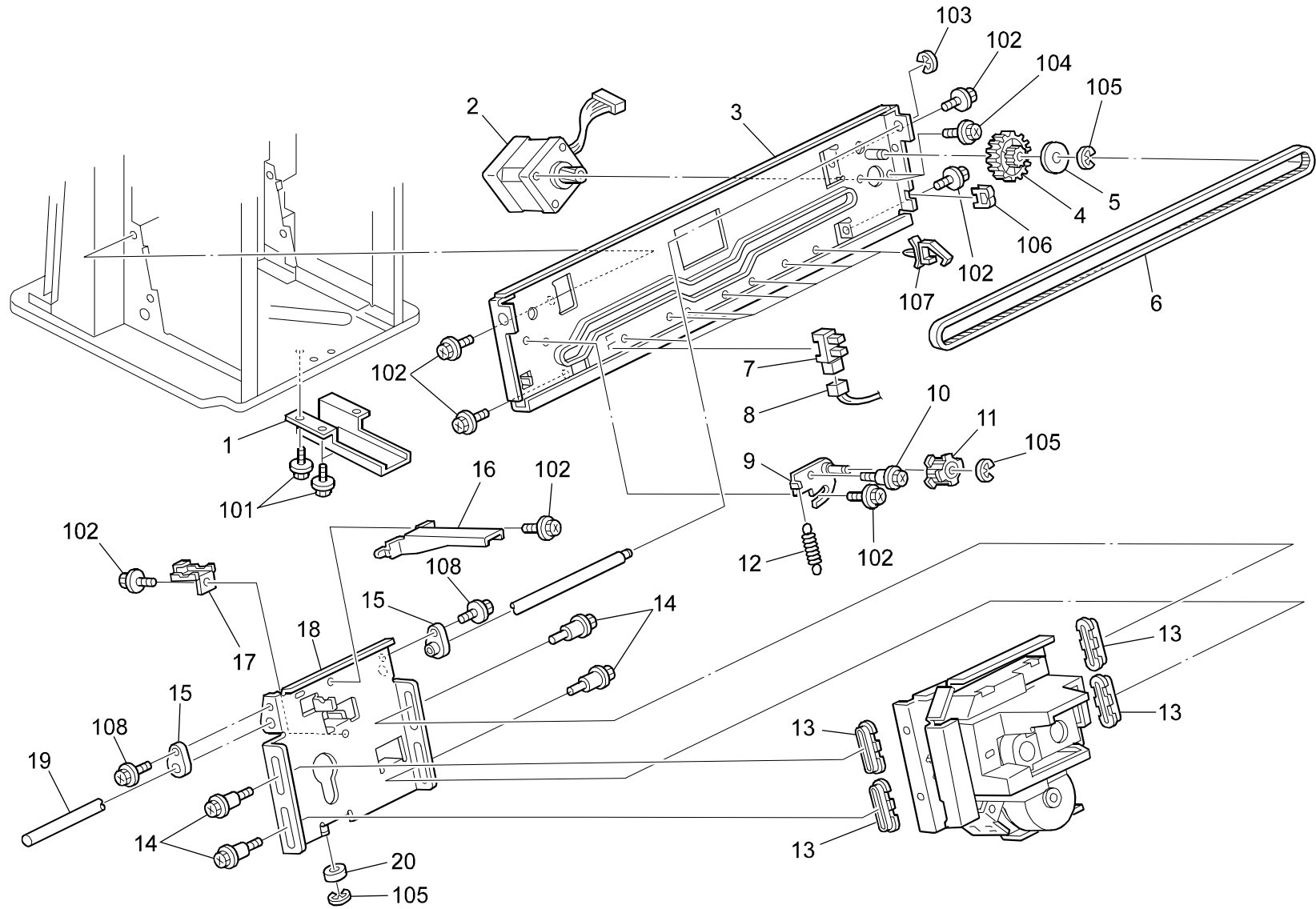


9.STAPLE TRAY 2 (B599)

Index No.	Part No.	Description	Q'ty Per Assembly
1	A697 1117	Base Plate Cap	2
2	B545 4211	Slider Fence Stay	1
3	B352 4232	Slider - Training Edge Fence	2
4	B352 4215	Shaft - Jogger Fence	1
5	A300 3759	Spring	1
6	B352 4221	Front Training Edge Fence	1
7	G565 4234	Front Entrance Guide	1
8	G565 4235	Rear Fence Guide	1
9	B352 4231	Rear Training Edge Fence	1
10	AW01 0093	Photo Reflection Sensor - PS-17ND1	1
11	A300 3813	Shaft - 6x21.5	1
12	B352 4052	Stack Feed-out Belt Assembly	2
13	B545 5230	Harness:Stapler Tray:Upper	1
14	B312 4121	Stepping Motor - DC6.069W	1
15	5053 0447	Bushing - 6mm	1
16	A666 3180	Timing Pulley - Z32	1
17	B352 4100	Stapler Tray	1
18	B545 1120	Stay - Stapler Tray	1
19	B352 4255	Timing Belt - 258P2M4	1
20	B312 4126	Pulley - 32T	1
21	B352 4251	Upper Exit Shaft	1

Index No.	Part No.	Description	Q'ty Per Assembly
101	1105 0334	Edge - 17	
102	0451 3006B	Tapping Screw - M3x6	
103	0451 3008B	Tapping Screw - M3x8	
104	1105 0511	Harness Clamp - LWS-0306ZC	
105	0805 3385	Bushing - 6mm	
106	0450 3008B	Tapping Screw - M3x8	
107	0720 0040B	Retaining Ring - M4	
108	1105 0410	Card Spacer - 9.4mm	
109	1105 0291	Harness Clamp - LWS-3S	

10.STAPLE UNIT 1 (B599)

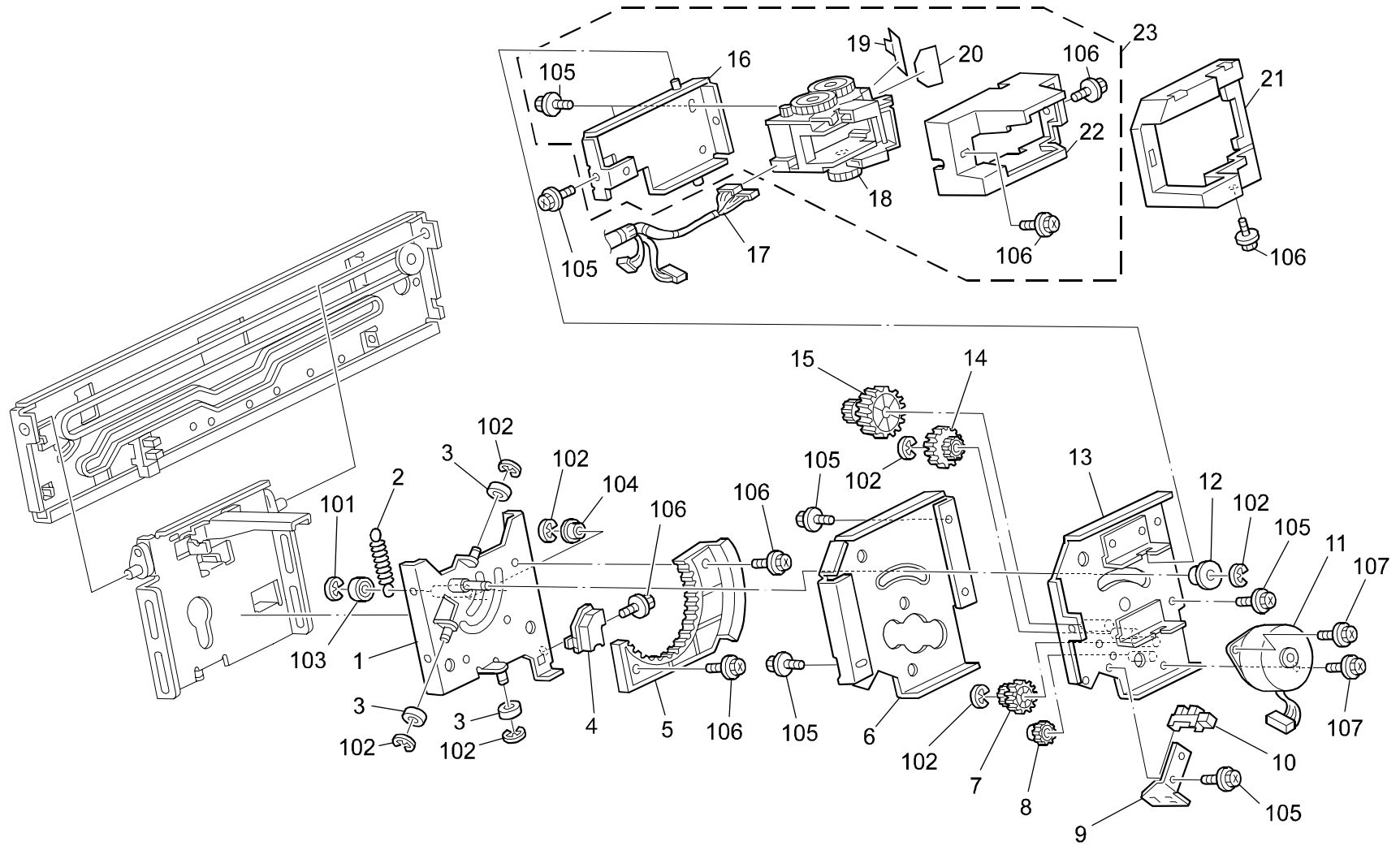


10.STAPLE UNIT 1 (B599)

Index No.	Part No.	Description	Q'ty Per Assembly
1	G565 1235	Coupling Rail Bracket	1
2	B312 4145	Stepping Motor - DC 16.1W	1
3	B545 4411	Bracket - Stapler Movement	1
4	B352 4421	Timing Pulley - Drive	1
5	A300 3812	Spacer - 6x22x1.5	1
6	B352 4422	Timing Belt - 918P3M4	1
7	AW02 0086	Photointerruptor	1
8	B545 5310	Harness:Connecting:560mm	1
9	B545 4431	Tightener Bracket	1
10	A697 1125	Stepped Screw - Lever	1
11	AB03 0278	Idler - 20z	1
12	5442 4121	Spring - Oil Blade	1
13	A300 3731	Slide Supporter	4
14	A697 4150	Stepped Screw - M5	4
15	B352 4318	Bushing - Lower Slider	2
16	B545 4317	Fence Hook	1
17	B352 4316	Stopper - Timing Belt	1
18	B545 4311	Stapler Unit Slider	1
19	B352 4415	Guide Rod	1
20	A300 2132	Guide Roller	1

Index No.	Part No.	Description	Q'ty Per Assembly
101	0451 4008B	Philips Tapping Screw - M4x8	
102	0451 3006B	Tapping Screw - M3x6	
103	0720 0060B	Retaining Ring - M6	
104	0353 0050B	Philips Truss Head Screw - M3x5	
105	0720 0040B	Retaining Ring - M4	
106	1105 0328	Harness Clamp - ES-0505	
107	1105 0511	Harness Clamp - LWS-0306ZC	
108	0451 3008B	Tapping Screw - M3x8	

11.STAPLE UNIT 2 (B599)

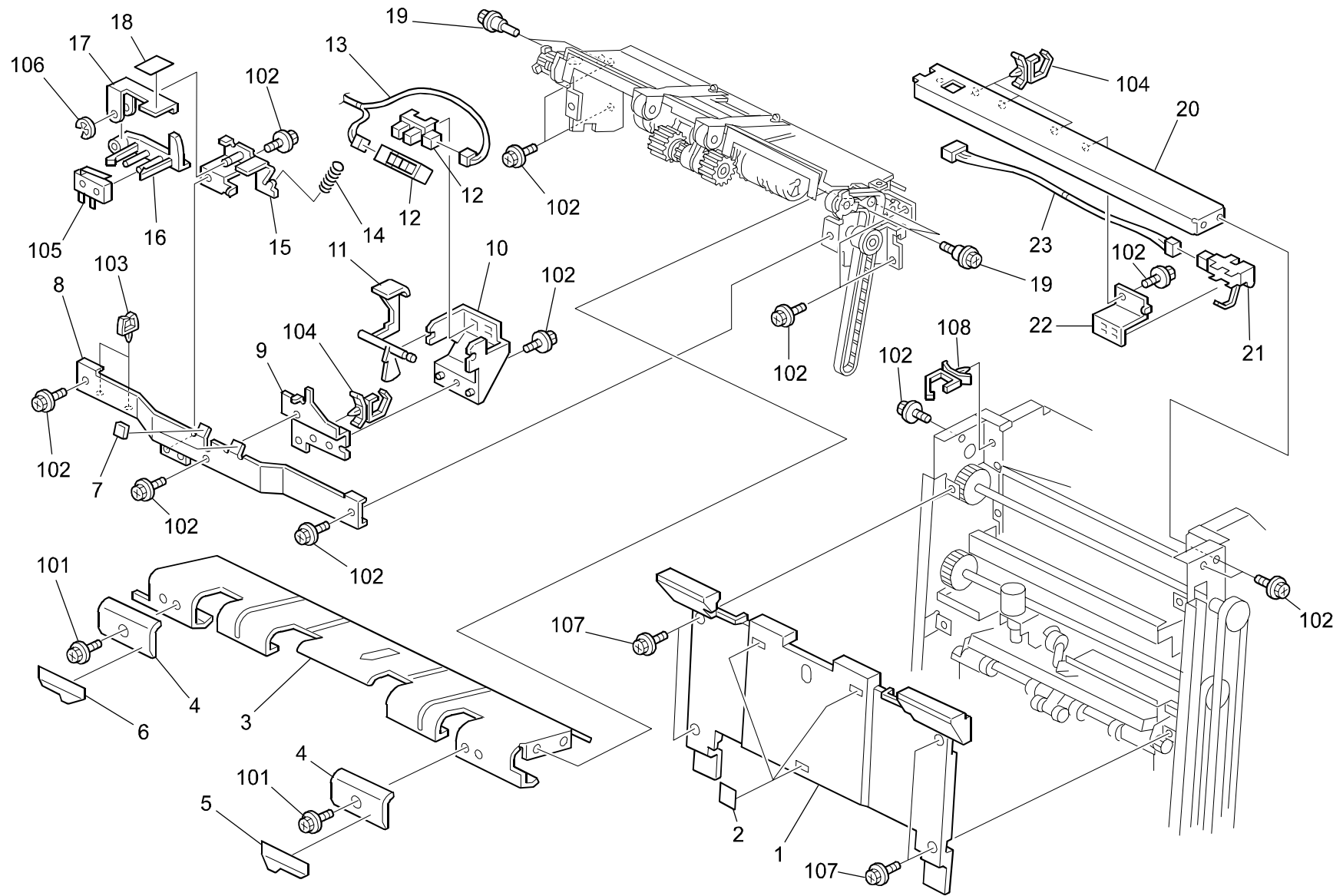


11.STAPLE UNIT 2 (B599)

Index No.	Part No.	Description	Q'ty Per Assembly
1	B545 4321	Lower Slider - Staple Unit	1
2	B352 4315	Spring - 18n	1
3	A377 4741	Roller - M14	3
4	B545 4327	Holder:Harness:Stapler	1
5	B352 4331	Sector Gear - Staple Unit	1
6	B545 4355	Slider Holder - Stapler Unit	1
7	B352 4351	Gear - 46Z/25Z	1
8	B352 4354	Gear - 27Z	1
9	B545 4362	Bracket:Sensor:Diagonal,slanted	1
10	AW02 0114	Photo Interruptor - Lower Limit	1
11	AX05 0160	Stepper Motor - DC 20W	1
12	B352 4347	Bushing - 6mm	1
13	B545 4391	Slider:Turn:Ass'y	1
14	B352 4352	Gear - 46Z/19Z	1
15	B352 4353	Pinion - 46Z/18Z	1
16	B545 4371	Stapler Base	1
17	B545 5235	Harness - Stapler	1
18	AJ01 1015	Stapler:EH-530 (NA)	1
18	B352 4380	Stapler - EH530 (EU)	1
19	B352 4379	Lower Guide Plate	1
20	G565 4377	Upper Entrance Guide	1
21	B352 4358	Stapler Base Cover	1
22	B352 4378	Stapler Cover	1
23	B545 4079	Stapler Unit	1

Index No.	Part No.	Description	Q'ty Per Assembly
101	0720 0060B	Retaining Ring - M6	
102	0720 0040B	Retaining Ring - M4	
103	0740 3008	Ball Bearing - 8x22x7	
104	0805 3263	Bearing - 6x10x6mm	
105	0451 3006B	Tapping Screw - M3x6	
106	0451 3008B	Tapping Screw - M3x8	
107	0453 3006B	Tapping Screw - M3x6	

12.UPPER PAPER EXIT 1 (B599)

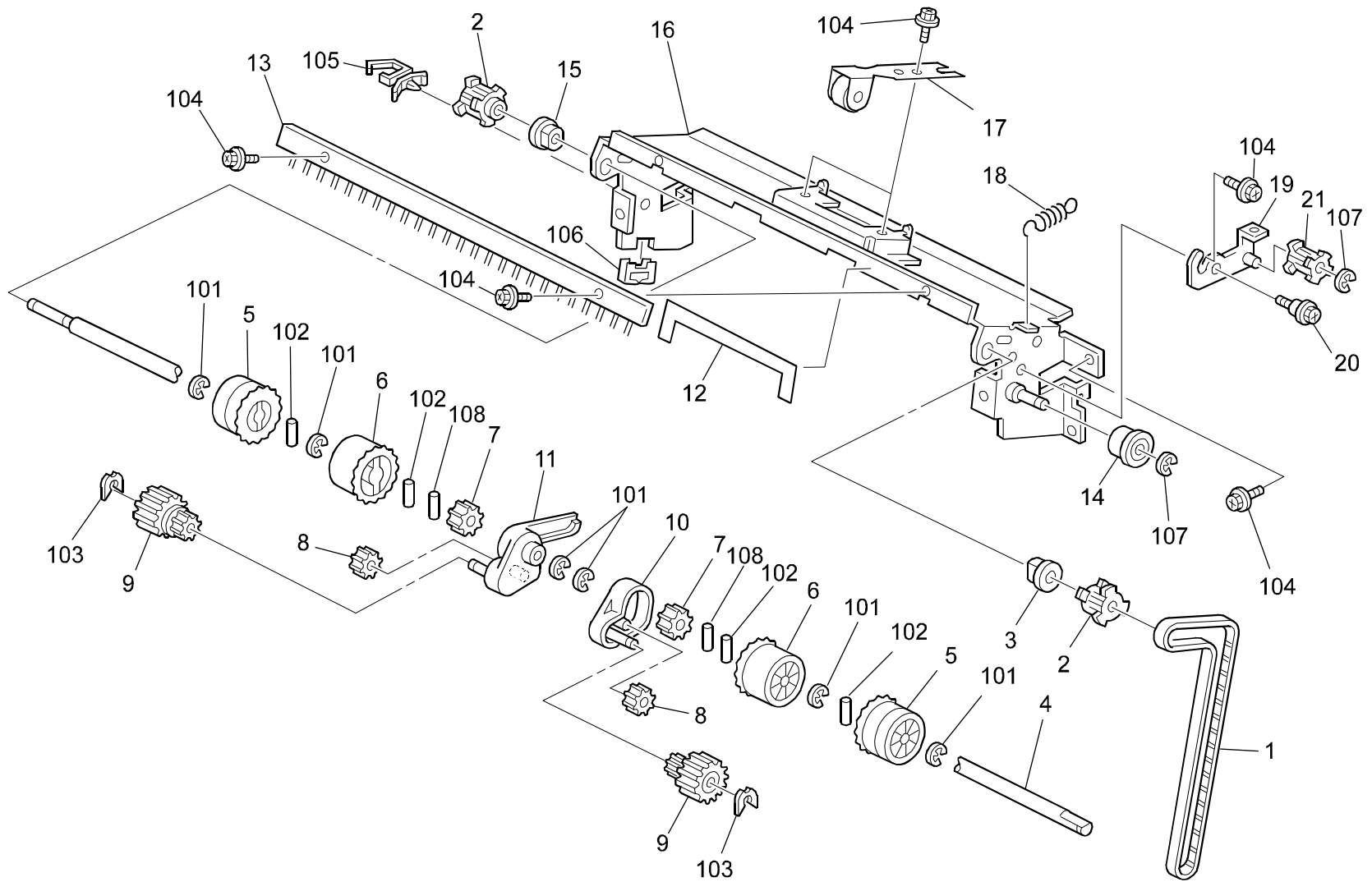


12.UPPER PAPER EXIT 1 (B599)

Index No.	Part No.	Description	Q'ty Per Assembly
1	G565 6401	Left Upper Cover	1
2	B352 2365	Upper Left Pad	2
3	B545 2124	Upper Guide Plate - Exit Small	1
4	B352 2131	Exit Guide	2
5	B352 2132	Front Exit Plate	1
6	B352 2133	Rear Exit Plate	1
7	B352 3220	Roller Pad	2
8	B545 2125	Upper Bracket - Paper Exit Unit	1
9	B545 3215	Adjusting Bracket - Sensor Feeler	1
10	B352 3101	Holder - Sensor Feeler	1
11	B352 3100	Sensor Feeler	1
12	AW02 0086	Photointerruptor	2
13	B545 5220	Harness:Sensor:Paper Sensor	1
14	B352 3656	Compression Spring - Switch	1
15	B545 3105	Bracket - Micro Switch	1
16	B352 3655	Switch Holder	1
17	B545 3102	Micro Switch Lever	1
18	B352 3225	Pad - Switch Lever	1
19	A697 1125	Stepped Screw - Lever	2
20	B545 3130	Exit Stay	1
21	AW02 0104	Photointerruptor	1
22	B545 2126	Upper Bracket - Paper Feed Sensor	1
23	B408 5355	Harness:Connecting:280mm	1

Index No.	Part No.	Description	Q'ty Per Assembly
101	0353 0060B	Philips Pan Head Screw - M3x6	
102	0451 3006B	Tapping Screw - M3x6	
103	1105 0230	Clamp	
104	1105 0511	Harness Clamp - LWS-0306ZC	
105	1204 2543	Switch - DE2L-BJ22	
106	0720 0040B	Retaining Ring - M4	
107	0451 3008H	Tapping Screw - M3x8	
108	1105 0310	Harness Clamp - LWS-1S	

13.UPPER PAPER EXIT 2 (B599)

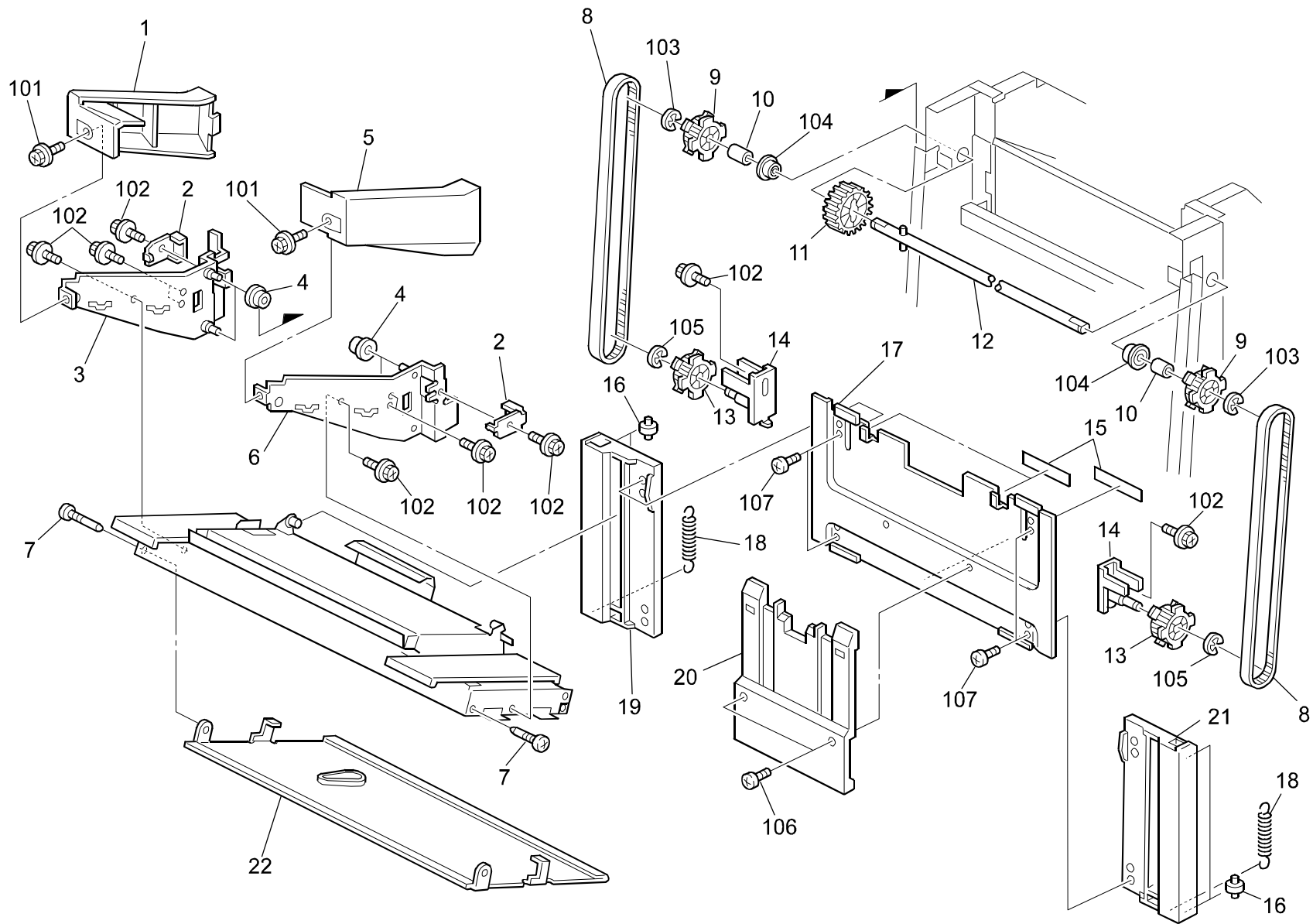


13.UPPER PAPER EXIT 2 (B599)

Index No.	Part No.	Description	Q'ty Per Assembly
1	B352 1631	Timing Belt - B40S2M594	1
2	B352 1600	Timing Pulley - S2M T24	2
3	5053 0447	Bushing - 6mm	1
4	B352 2406	Exit Roller Shaft	1
5	B352 2405	Outer Exit Roller	2
6	B352 2400	Exit Roller	2
7	B352 2408	Gear - 26Z	2
8	B352 2409	Idler Gear - 17z	2
9	B352 2407	Reverse Roller - 20z	2
10	B352 2410	Front Arm - Reverse Roller	1
11	B352 2411	Rear Arm - Reverse Roller	1
12	G565 2135	Exit Plate	1
13	AA12 0090	Discharge Brush L=320 Mm3	1
14	B312 1615	Tension Roller	1
15	AA08 0238	Bushing - M6	1
16	B545 2120	Upper Guide Plate - Exit	1
17	A666 4260	Entrance Roller	2
18	B352 1630	Tension Spring	1
19	B545 1625	Bracket:Tightener:Ass'y	1
20	A697 1125	Stepped Screw - Lever	1
21	B352 1624	Timing Pulley:T20S2M	1

Index No.	Part No.	Description	Q'ty Per Assembly
101	0720 0040B	Retaining Ring - M4	
102	0632 0100G	Pin - 2x10mm	
103	0805 0089	Retaining Ring - M4	
104	0451 3006B	Tapping Screw - M3x6	
105	1105 0310	Harness Clamp - LWS-1S	
106	1105 0329	Clamp - ES-0510	
107	0720 0060B	Retaining Ring - M6	
108	0632 0080G	Parallel Key - 2x8mm	

14.UPPER SHIFT TRAY 1 (B599)

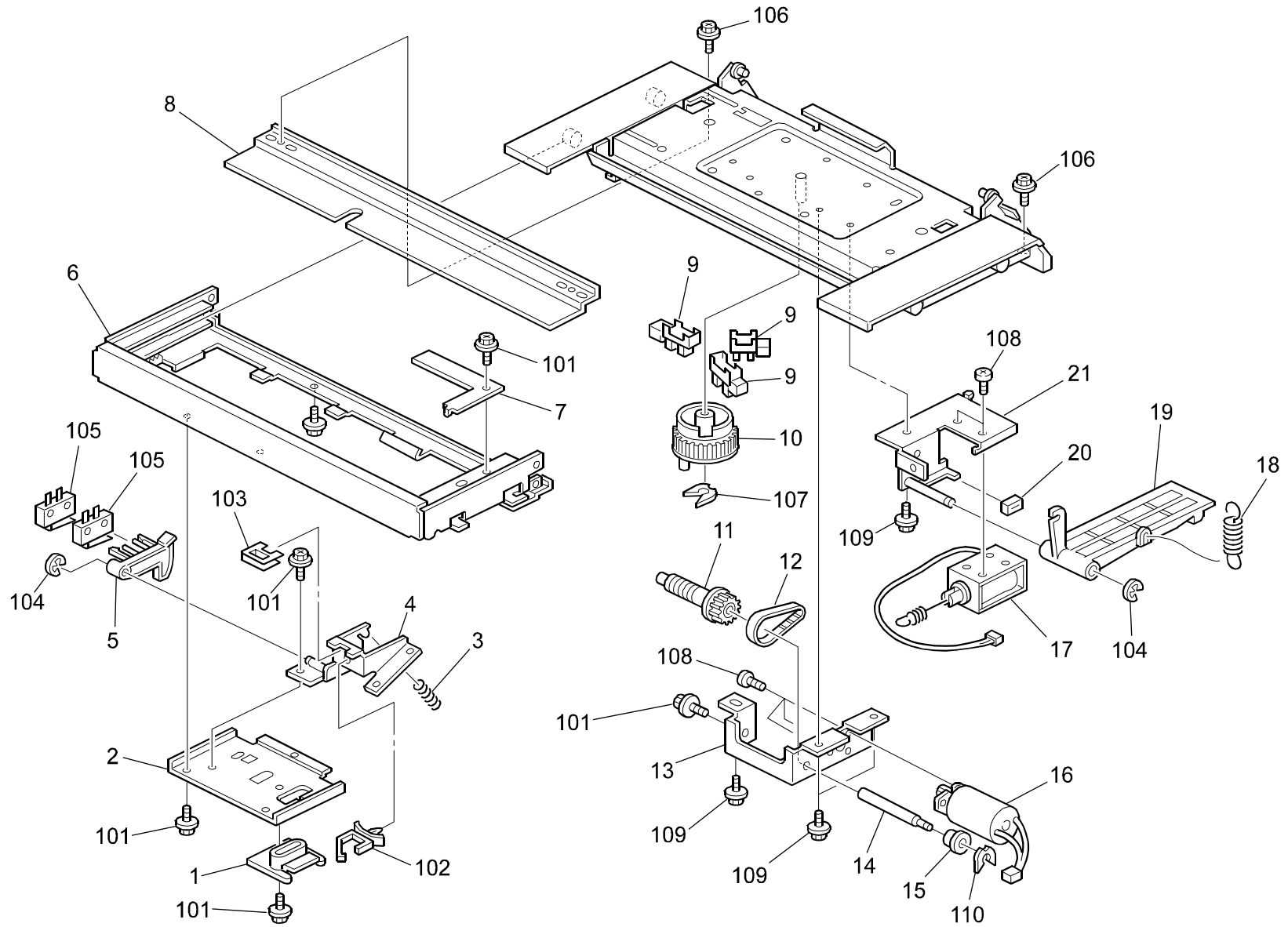


14.UPPER SHIFT TRAY 1 (B599)

Index No.	Part No.	Description	Q'ty Per Assembly
1	G565 6651	Rear Upper Tray Cover	1
2	B352 3165	Timing Belt Guide Plate	2
3	B545 3530	Side Plate - Upper Rear	1
4	A379 3316	Shift Guide Roller	2
5	G565 6601	Front Upper Tray Cover	1
6	B545 3520	Side Plate - Upper Front	1
7	5446 2824	Screw - Duplex Guide Plate	2
8	B352 3161	Timing Belt - B60S5M1055	2
9	B352 3145	Timing Pulley - T18	2
10	B352 3170	Spacer	2
11	A666 2347	Gear - Z45	1
12	B352 3013	Shaft - Upper Drive	1
13	B352 3146	Timing Pulley - T18	2
14	B545 3155	Upper Tighter	2
15	B352 3605	Upper Guide - End Fence	3
16	B352 3629	End Fence Roller	4
17	B545 3601	End Fence	1
18	B352 3608	Tension Spring - End Fence	2
19	G565 3631	Rear End Fence Rail	1
20	G565 3611	End Fence Guide Plate	1
21	G565 3621	Front End Fence Rail	1
22	B545 3761	Base Cover	1

Index No.	Part No.	Description	Q'ty Per Assembly
101	0451 3008H	Tapping Screw - M3x8	
102	0451 3006B	Tapping Screw - M3x6	
103	0720 0060B	Retaining Ring - M6	
104	0742 3808	Ball Bearing - 8x16x5	
105	0720 0040B	Retaining Ring - M4	
106	0453 3006B	Tapping Screw - M3x6	
107	0452 3008B	Tapping Screw - M3x8	

15.UPPER SHIFT TRAY 2 (B599)

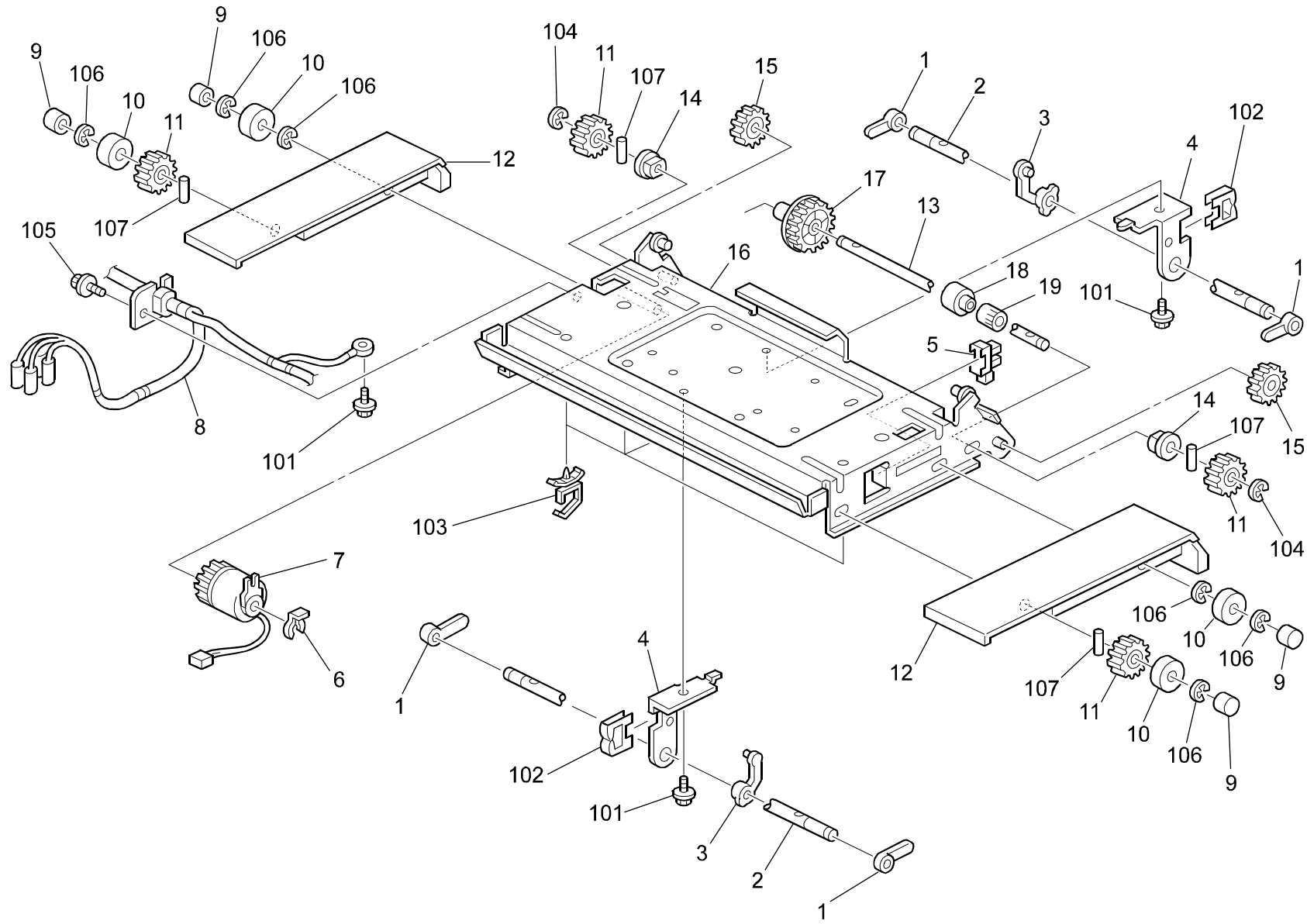


15.UPPER SHIFT TRAY 2 (B599)

Index No.	Part No.	Description	Q'ty Per Assembly
1	B352 3517	Slide Guide	1
2	B545 3516	Base Bracket	1
3	B352 3656	Compression Spring - Switch	1
4	B545 3650	Bracket - Tray Safety Switch	1
5	B352 3655	Switch Holder	1
6	B545 3510	Base - Upper Tray	1
7	B545 3515	Front Stopper - Tray Shift	1
8	B545 3766	Slide Cover	1
9	AW02 0075	Photointerruptor	3
10	B352 3580	Worm Wheel - 40z	1
11	A681 3316	Shift Tray Worm	1
12	B352 3587	Timing Belt - B0S2M104	1
13	B545 3585	Motor Bracket	1
14	B352 3586	Shift - Worm Gear	1
15	5443 2668	Bushing - 4x6x7mm	1
16	AX05 0161	DC Motor - DC24V 7.2W	1
17	B352 2090	DC Solenoid Assembly	1
18	AA06 0092	Release Spring	1
19	B352 3705	Lock Lever - Upper Tray	1
20	A697 2102	Damper - Junction Gate Solenoid	1
21	B545 3700	Bracket - Lock Lever	1

Index No.	Part No.	Description	Q'ty Per Assembly
101	0451 3006B	Tapping Screw - M3x6	
102	1105 0310	Harness Clamp - LWS-1S	
103	1105 0522	Edge Saddle - Les0510	
104	0720 0040B	Retaining Ring - M4	
105	1204 2543	Switch - DE2L-BJ22	
106	0802 5277	Tapping Screw	
107	0805 0088	Retaining Ring - M6	
108	0313 0050B	Philips Pan Head Screw - M3x5	
109	0802 5276	Tapping Screw With Washer - M3x6	
110	0805 0092	Retaining Ring - 3m	

16. UPPER SHIFT TRAY 3 (B599)



16.UPPER SHIFT TRAY 3 (B599)

Index No.	Part No.	Description	Q'ty Per Assembly
1	B352 3572	Bushing - 6mm	4
2	B352 3575	Shaft - Upper Tray	2
3	B352 3571	Slider Bearing	2
4	B545 3570	Support Plate - Tray Shift	2
5	AW02 0114	Photo Interruptor - Lower Limit	1
6	G011 3275	Snap Ring	1
7	AX21 0069	Magnetic Clutch - Z30	1
8	B545 3771	Upper Harness - Shift Tray	1
9	B352 3577	Shaft Cap	4
10	A353 3272	Guide Roller	4
11	B352 3576	Gear - 20Z	4
12	G565 3751	Upper Base Cover	2
13	B352 3595	Rear Shaft - Upper Tray	1
14	5053 0447	Bushing - 6mm	2
15	B352 3592	Idle Gear - 20z	2
16	B545 3560	Base - Shift	1
17	B352 3591	Gear - 40Z	1
18	B352 3594	Torque Limiter - 100mn	1
19	B352 3593	Ratchet - Tray Lock	1

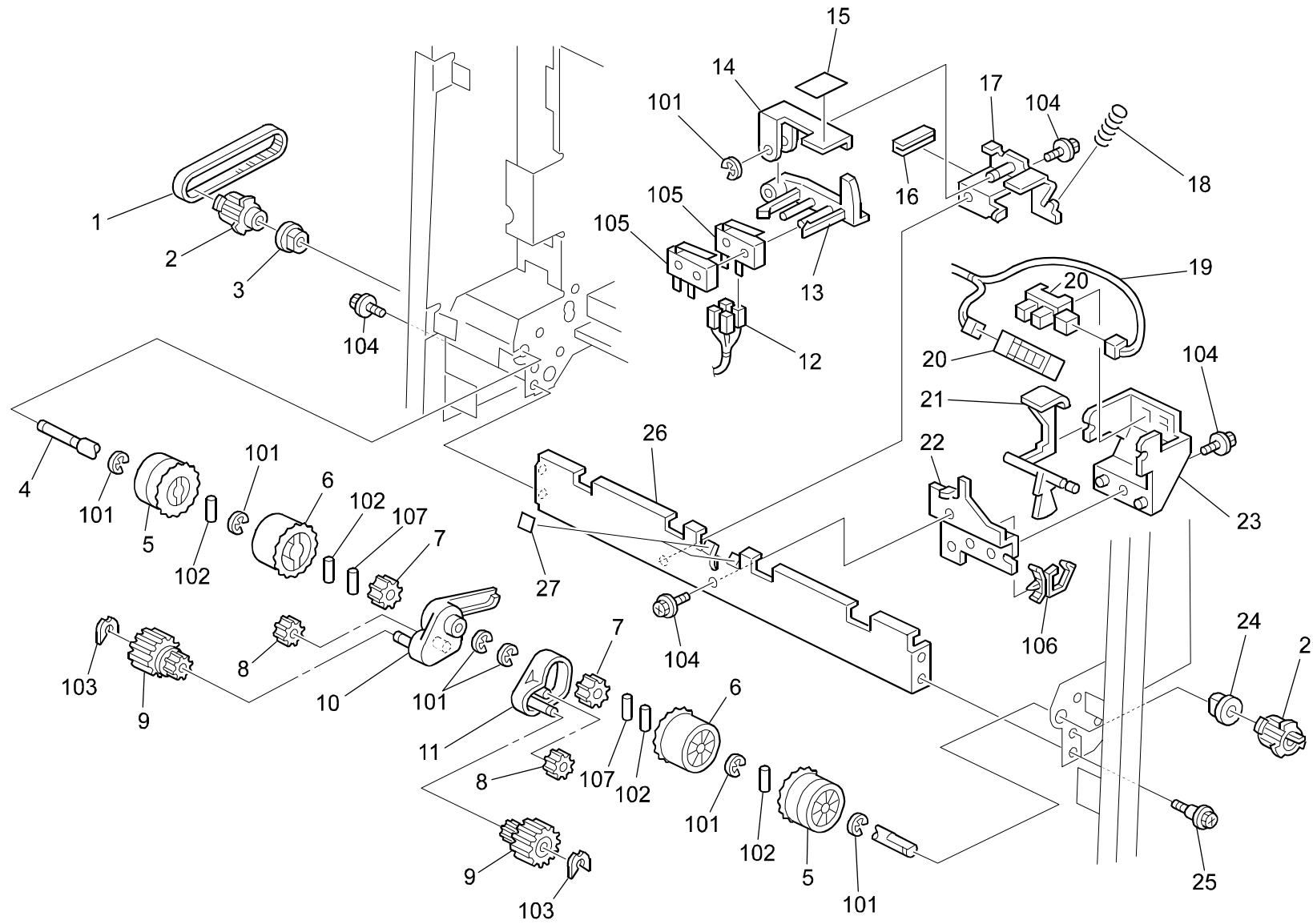
Index No.	Part No.	Description	Q'ty Per Assembly
101	0802 5276	Tapping Screw With Washer - M3x6	
102	1105 0329	Clamp - ES-0510	
103	1105 0310	Harness Clamp - LWS-1S	
104	0720 0040B	Retaining Ring - M4	
105	0451 3006B	Tapping Screw - M3x6	
106	0720 0040B	Retaining Ring - M4	
107	0632 0120G	Parallel Pin - 2x12	

17.LOWER PAPER EXIT 1 (B599)

Index No.	Part No.	Description	Q'ty Per Assembly
1	B312 1550	Stepping Motor - DC 6.2W	1
2	B545 1620	Exit Roller Bracket	1
3	A697 2131	Antistatic Brush	1
4	B352 3190	Driven Roller Link	1
5	B545 3185	Bracket - Open Link	1
6	B545 2438	Bracket:Guide:Exit	1
7	B545 5305	Harness:Connecting:430mm	1
8	AW01 0070	Photosensor - PS-R11D1-B	1
9	AA12 0027	Antistatic Brush	1
10	A353 3354	Driven Roller Holder	1
11	B545 2437	Guide Plate:Exit:Moveable	1
12	G565 2135	Exit Plate	1
13	B352 2436	Exit Driven Roller	2
14	A379 2212	Driven Roller Shaft	1
15	B545 2415	Lower Guide Plate	1
16	B352 2207	Pad - Stapler Tray	1

Index No.	Part No.	Description	Q'ty Per Assembly
101	1105 0310	Harness Clamp - LWS-1S	
102	0451 3006B	Tapping Screw - M3x6	
103	0805 0089	Retaining Ring - M4	
104	1105 0511	Harness Clamp - LWS-0306ZC	
105	1105 0328	Harness Clamp - ES-0505	
106	0450 4008B	Tapping Screw - 4x8	
107	0720 0040B	Retaining Ring - M4	
108	0451 4006B	Tapping Screw - 4x6	
109	0313 0100B	Philips Pan Head Screw - M3x10	

18.LOWER PAPER EXIT 2 (B599)

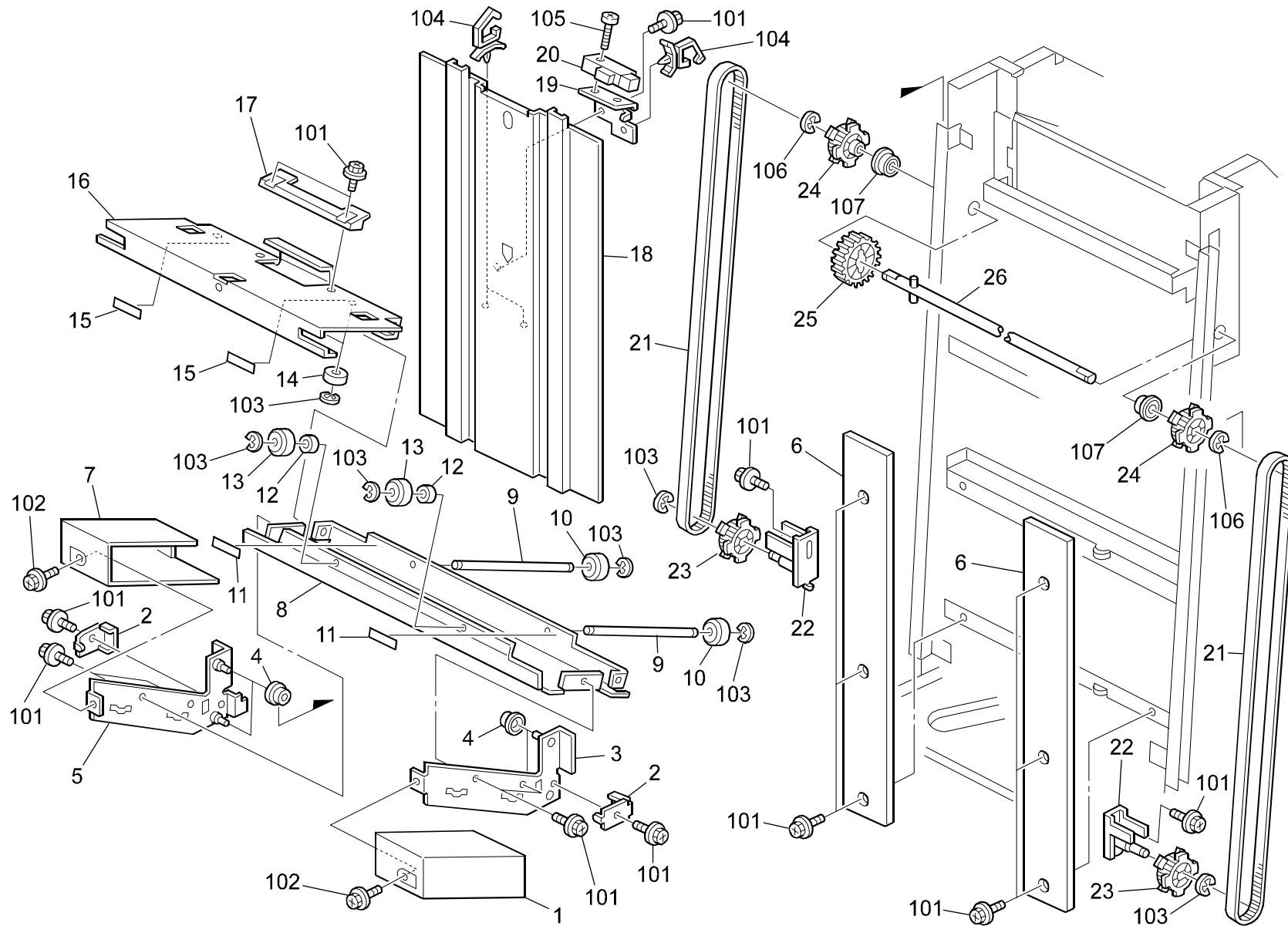


18.LOWER PAPER EXIT 2 (B599)

Index No.	Part No.	Description	Q'ty Per Assembly
1	B352 1632	Timing Belt - B40S2M200	1
2	B352 1600	Timing Pulley - S2M T24	2
3	AA08 0238	Bushing - M6	1
4	B352 2406	Exit Roller Shaft	1
5	B352 2405	Outer Exit Roller	2
6	B352 2400	Exit Roller	2
7	B352 2408	Gear - 26Z	2
8	B352 2409	Idler Gear - 17z	2
9	B352 2407	Reverse Roller - 20z	2
10	B352 2411	Rear Arm - Reverse Roller	1
11	B352 2410	Front Arm - Reverse Roller	1
12	B545 5245	Harness:Shift Tray:Lower	1
13	B352 3655	Switch Holder	1
14	B545 3102	Micro Switch Lever	1
15	B352 3225	Pad - Switch Lever	1
16	B352 5450	Bushing - CE-012LV0	1
17	B545 3105	Bracket - Micro Switch	1
18	B352 3656	Compression Spring - Switch	1
19	B545 5325	Harness:Connecting:Paper Senser	1
20	AW02 0086	Photointerruptor	2
21	B352 3100	Sensor Feeler	1
22	B545 3215	Adjusting Bracket - Sensor Feeler	1
23	B352 3101	Holder - Sensor Feeler	1
24	5053 0447	Bushing - 6mm	1
25	A666 4170	Stepped Screw - M3x6	1
26	B545 3210	Exit Roller Cover	1
27	B352 3220	Roller Pad	2

Index No.	Part No.	Description	Q'ty Per Assembly
101	0720 0040B	Retaining Ring - M4	
102	0632 0100G	Pin - 2x10mm	
103	0805 0089	Retaining Ring - M4	
104	0451 3006B	Tapping Screw - M3x6	
105	1204 2543	Switch - DE2L-BJ22	
106	1105 0511	Harness Clamp - LWS-0306ZC	
107	0632 0080G	Parallel Key - 2x8mm	

19. LOWER SHIFT TRAY 1 (B599)

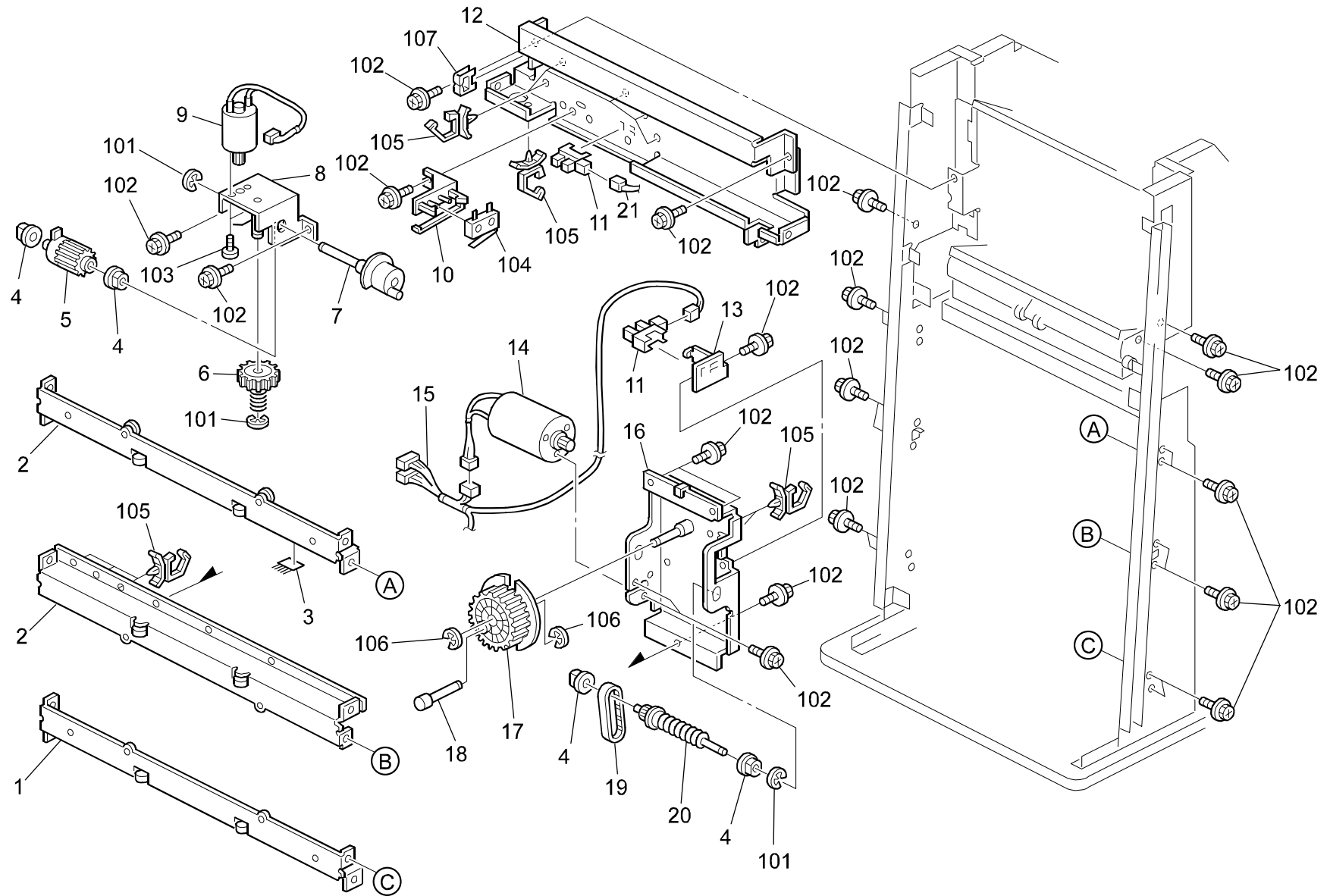


19.LOWER SHIFT TRAY 1 (B599)

Index No.	Part No.	Description	Q'ty Per Assembly
1	G565 6701	Front Lower Tray Cover	1
2	B352 3165	Timing Belt Guide Plate	2
3	B545 3812	Side Plate - Lower Front	1
4	A379 3316	Shift Guide Roller	4
5	B545 3822	Side Plate - Lower Back	1
6	B545 3140	End Fence Cover	2
7	G565 6751	Rear Lower Tray Cover	1
8	B545 3830	Base - Lower Tray	1
9	B352 3835	Tray Shift Shaft	2
10	A353 3351	Exit Driven Roller	2
11	B352 3833	Short Cushion - Base	2
12	A697 1606	Spacer - 6x12x2.7mm	2
13	A666 2213	Shift Tray Roller	2
14	A353 3272	Guide Roller	2
15	B352 3844	Long Cushion - Base	2
16	B545 3840	Lower Tray Holder	1
17	B352 3845	Slider Pawl	1
18	B545 3110	End Fence	1
19	B545 3115	Sensor Bracket	1
20	AW01 0089	Photosensor - GP2A28C	1
21	B352 3160	Timing Belt - B60S5M1530	2
22	B545 3150	Lower Tighter	2
23	B352 3146	Timing Pulley - T18	2
24	B352 3145	Timing Pulley - T18	2
25	A666 2347	Gear - Z45	1
26	B352 3016	Shaft - Lower Drive	1

Index No.	Part No.	Description	Q'ty Per Assembly
101	0451 3006B	Tapping Screw - M3x6	
102	0451 3008H	Tapping Screw - M3x8	
103	0720 0040B	Retaining Ring - M4	
104	1105 0511	Harness Clamp - LWS-0306ZC	
105	0313 0120B	Philips Pan Head Screw - M3x12	
106	0720 0060B	Retaining Ring - M6	
107	0742 3808	Ball Bearing - 8x16x5	

20.LOWER SHIFT TRAY 2 (B599)

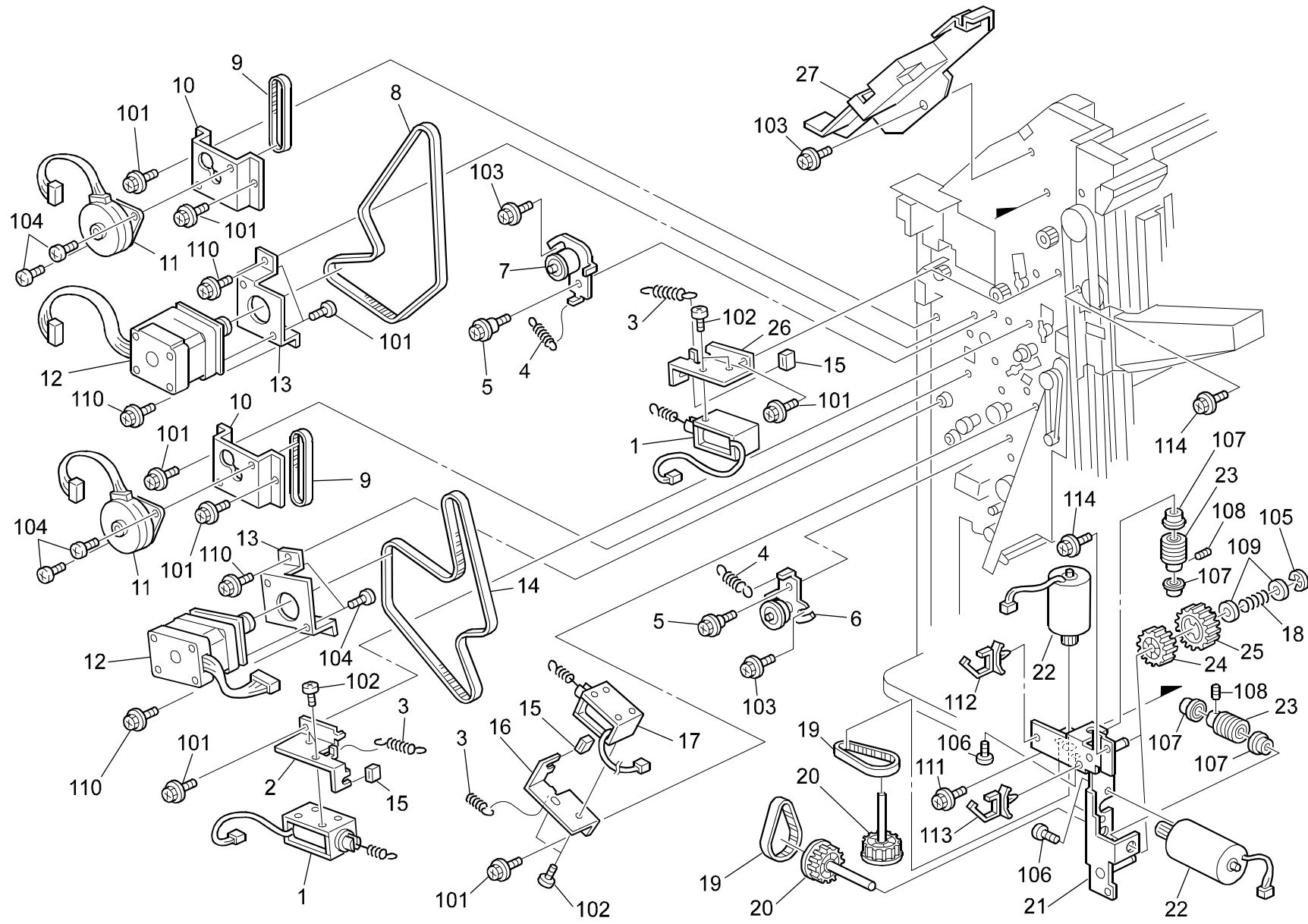


20.LOWER SHIFT TRAY 2 (B599)

Index No.	Part No.	Description	Q'ty Per Assembly
1	B545 3125	Stay - Lower Exit	1
2	B545 3120	Stay - Upper Exit	2
3	A697 2131	Antistatic Brush	1
4	5053 0447	Bushing - 6mm	4
5	A681 2702	Worm Wheel - 20z	1
6	A681 2711	Worm Gear - 50z	1
7	B352 3176	Cam:Paper Exit Unit	1
8	B545 3180	Motor Bracket	1
9	AX04 0053	DC Motor - 24V/2.2W	1
10	B352 3195	Exit Switch Holder	1
11	AW02 0075	Photointerruptor	2
12	B545 3131	Upper Left Stay	1
13	A697 3205	Shift Sensor Bracket	1
14	AX05 0115	DC Motor - 24V 7.2W	1
15	B545 5320	Harness:Connecting:Shift Tray	1
16	A697 3210	Shift Motor Bracket	1
17	A697 3195	Worm Wheel	1
18	A697 3200	Worm Wheel Shaft	1
19	A697 3220	Timing Belt - B40S2M112	1
20	A697 3215	Pulley - 19T	1
21	B545 5240	Harness:Motor:Rising Tray	1

Index No.	Part No.	Description	Q'ty Per Assembly
101	0720 0040B	Retaining Ring - M4	
102	0451 3006B	Tapping Screw - M3x6	
103	0800 0072	Philips Pan Head Screw - M2.6x4	
104	1204 2544	Switch - DE2L-BJ23	
105	1105 0511	Harness Clamp - LWS-0306ZC	
106	0720 0060B	Retaining Ring - M6	
107	1105 0328	Harness Clamp - ES-0505	

21.DRIVE SECTION (B599)

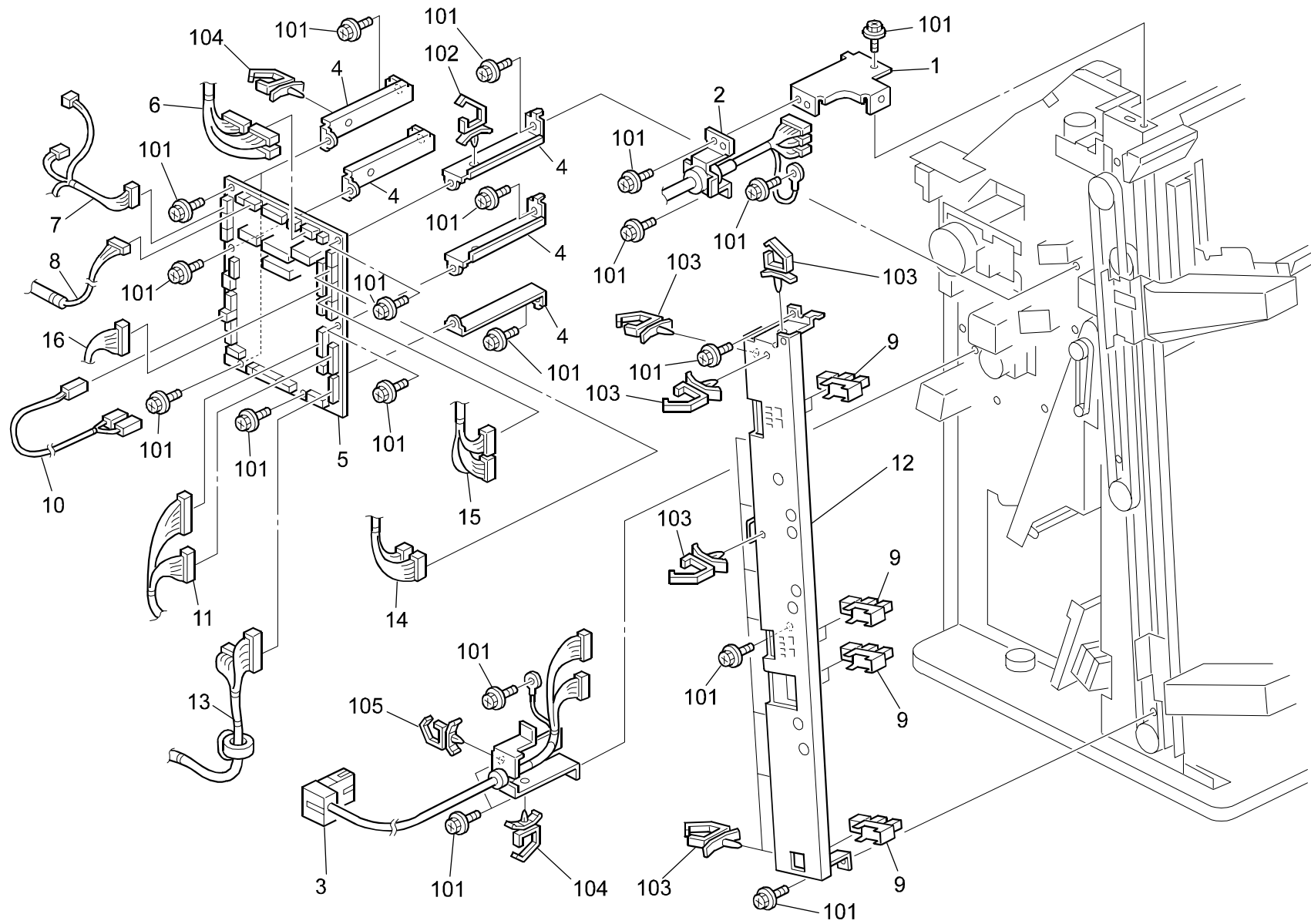


21.DRIVE SECTION (B599)

Index No.	Part No.	Description	Q'ty Per Assembly
1	B352 2090	DC Solenoid Assembly	2
2	A697 2105	Bracket - Junction Gate Solenoid	1
3	AA06 0092	Release Spring	3
4	A697 1518	Spring - Oil Blade	2
5	A697 1125	Stepped Screw - Lever	2
6	B312 1605	Tightener	1
7	B312 1600	Tightener	1
8	B352 1610	Timing Belt - B40S3M612	1
9	B352 1601	Timing Belt - B40S2M196	1
10	B312 1524	Motor Bracket	1
11	AX04 0121	Stepping Motor - DC 6.5W	1
12	B312 1515	Stepping Motor - DC 6.2W (NA)	2
12	B468 5750	Stepper Motor - DC 12.4W (EU)	2
13	A612 1612	Bracket - Motor	2
14	B352 1617	Timing Belt - B40S3M759	1
15	A697 2102	Damper - Junction Gate Solenoid	1
16	B312 2106	Bracket - Pre-stack Gate Solenoid	1
17	B312 2105	Pre-stack Gate Solenoid	1
18	A353 3113	Pressure Spring	1
19	AA04 3054	Timing Belt - 142 P2M4	2
20	A697 3225	Worm Wheel Shaft	2
21	B545 3200	Bracket - Tray Lift Motor	1
22	AX06 0211	DC Motor - NA4056D05	1
23	AB01 3709	Worm Gear	2
24	B352 3205	Gear - 26Z	1
25	B352 3206	Worm Wheel - 30z	1
26	A697 2235	Bracket - Junction Gate Solenoid	1
27	G565 6130	Rear Cover - Side Plate	1

Index No.	Part No.	Description	Q'ty Per Assembly
101	0451 3006B	Tapping Screw - M3x6	
102	0313 0040B	Philips Pan Head Screw - M3x4	
103	0451 3008B	Tapping Screw - M3x8	
104	0453 3006B	Tapping Screw - M3x6	
105	0720 0060B	Retaining Ring - M6	
106	0313 0050B	Philips Pan Head Screw - M3x5	
107	0741 3506	Ball Bearing - 6x12x4 MM	
108	0574 0040E	Hexagon Headless Set Screw - M4x4	
109	0807 5056	Washer - 8.1mm	
110	0451 4006B	Tapping Screw - 4x6	
111	0802 5277	Tapping Screw	
112	1105 0511	Harness Clamp - LWS-0306ZC	
113	1105 0310	Harness Clamp - LWS-1S	

22.ELECTRICAL SECTION (B599)



22.ELECTRICAL SECTION (B599)

Index No.	Part No.	Description	Q'ty Per Assembly
1	B545 1150	Upper Cover Bracket	1
2	B545 3771	Upper Harness - Shift Tray	1
3	B599 5205	Harness - Interface Ass'y	1
4	B545 1140	Boardd Bracket	5
5	B599 5100	Printed Circuit Board:Main Control:Ass'y (NA)	1
5	G565 5530	Printed Circuit Board:Main Control:Ass'y (EU)	1
6	B545 5220	Harness:Sensor:Paper Sensor	1
7	B545 5215	Harness:Sensor:Entrance	1
8	B599 5340	Harness:Entrance:Set Sensor	1
9	AW02 0114	Photo Interruptor - Lower Limit	7
10	B545 5210	Harness:Safety Switch	1
11	B545 5225	Harness:Sensor:Shift Tray	1
12	B545 3135	Stay - Positioning Sensor	1
13	B545 5230	Harness:Stapler Tray:Upper	1
14	B545 5240	Harness:Motor:Rising Tray	1
15	B545 5250	Harness:Shift Tray:Upper	1
16	B545 5245	Harness:Shift Tray:Lower	1

Index No.	Part No.	Description	Q'ty Per Assembly
101	0451 3006B	Tapping Screw - M3x6	
102	1105 0292	Wire Saddle	
103	1105 0291	Harness Clamp - LWS-3S	
104	1105 0310	Harness Clamp - LWS-1S	
105	1105 0511	Harness Clamp - LWS-0306ZC	

23.MAIN CONTROL BOARD NA (B599)

CAPACITOR

SYMBOL NO.	INDEX NO.	SYMBOL NO.	INDEX NO.	SYMBOL NO.	INDEX NO.	SYMBOL NO.	INDEX NO.	SYMBOL NO.	INDEX NO.	SYMBOL NO.	INDEX NO.	SYMBOL NO.	INDEX NO.
C101	195	C111	160	C121	192	C131	195	C141	192	C151	193	C161	165
C102	195	C112	161	C122	161	C132	164	C142	195	C152	193	C162	193
C103	161	C113	195	C123	160	C133	195	C143	195	C153	193	C163	195
C104	161	C114	195	C124	161	C134	193	C144	195	C154	193	C164	193
C105	161	C115	163	C125	160	C135	164	C145	195	C155	193	C165	193
C106	161	C116	195	C126	195	C136	195	C146	193	C156	193	C166	195
C107	161	C117	195	C127	195	C137	165	C147	195	C157	165	C167	192
C108	195	C118	195	C128	195	C138	162	C148	193	C158	193	C168	165
C109	195	C119	161	C129	195	C139	161	C149	193	C159	165	C169	195
C110	161	C120	192	C130	161	C140	164	C150	193	C160	165	C170	195

CAPACITOR

SYMBOL NO.	INDEX NO.	SYMBOL NO.	INDEX NO.	SYMBOL NO.	INDEX NO.	SYMBOL NO.	INDEX NO.	SYMBOL NO.	INDEX NO.	SYMBOL NO.	INDEX NO.	SYMBOL NO.	INDEX NO.
C171	192	C181	193	C191	193	C201	165	C211	165	C221	193	C231	195
C172	165	C182	165	C192	195	C202	165	C212	195	C222	193	C232	195
C173	193	C183	193	C193	193	C203	193	C213	192	C223	193	C233	195
C174	193	C184	165	C194	195	C204	193	C214	192	C224	193	C234	194
C175	193	C185	165	C195	193	C205	193	C215	165	C225	193	C235	192
C176	192	C186	195	C196	193	C206	193	C216	195	C226	165	C236	195
C177	192	C187	195	C197	193	C207	195	C217	195	C227	193	C237	192
C178	195	C188	195	C198	193	C208	194	C218	195	---	---	C238	195
C179	195	C189	192	C199	195	C209	195	C219	192	C229	193	C239	165
C180	193	C190	165	C200	165	C210	195	C220	193	C230	193	C240	192

23.MAIN CONTROL BOARD NA (B599)

CAPACITOR

SYMBOL NO.	INDEX NO.
C241	192
C242	194
C243	195
C244	195
C245	195
C246	165
C247	193
C248	193
C249	165
C250	193

SYMBOL NO.	INDEX NO.
C251	193
C252	195
C253	192
C254	192
C255	195
C256	165
C257	195
C258	195
C259	165
C260	195

SYMBOL NO.	INDEX NO.
C261	165
C262	195
C263	165
C264	193
C265	191
C266	165
C267	193
C268	193
C269	193
C270	193

SYMBOL NO.	INDEX NO.
C271	195
C272	193
C273	193
C274	195
C275	193
C276	193

CONNECTOR

SYMBOL NO.	INDEX NO.
CN101	122
CN102	123
CN103	120
CN104	109
CN105	105
CN106	117
CN107	106
CN108	108
CN109	119
CN110	113

SYMBOL NO.	INDEX NO.
CN111	106
CN112	116
CN113	106
CN114	111
CN115	108
CN116	115
CN117	124
CN118	112
CN119	107
CN120	102

SYMBOL NO.	INDEX NO.
CN121	112
CN122	104
CN123	103
CN124	121
CN125	102
CN126	107
CN127	102
CN128	114
CN129	118
CN130	107

CONNECTOR

SYMBOL NO.	INDEX NO.
CN131	111
CN132	109
CN133	110
CN134	103

DIODE

SYMBOL NO.	INDEX NO.
D101	136
D102	136
D103	136
D104	138
D105	138
D106	136
D107	138
D108	136
D109	136
D110	138

SYMBOL NO.	INDEX NO.
D111	138
D112	138
D113	138

FUSE

SYMBOL NO.	INDEX NO.
FU101	125
FU101	127

IC

SYMBOL NO.	INDEX NO.
IC101	143
IC102	147
IC103	151
IC104	146
IC105	144
IC106	144
IC107	154
IC108	140
IC109	149
IC110	154

SYMBOL NO.	INDEX NO.
IC111	154
IC112	2
IC112	126
IC113	148
IC114	148
IC115	148
IC116	148
IC117	145
IC118	155
IC119	141
IC120	152

SYMBOL NO.	INDEX NO.
IC121	1
IC122	151
IC123	151
IC124	151
IC125	151
IC126	153
IC127	143
---	---
IC129	151
IC130	142

SYMBOL NO.	INDEX NO.
IC131	147
IC132	147
IC133	150

23.MAIN CONTROL BOARD NA (B599)

L

SYMBOL NO.	INDEX NO.
L101	166
L102	166
L103	166
L104	166
L105	166
L106	166
L107	166
L108	166
L109	166
L110	166

OSC

SYMBOL NO.	INDEX NO.
L111	166
L112	166
L113	166
L114	166
OSC101	156

PC

SYMBOL NO.	INDEX NO.
PC101	139
PC102	139
PC103	139
PC104	139

Q

SYMBOL NO.	INDEX NO.
Q101	130
Q102	130
Q103	130
Q104	133
Q105	134
Q106	134
Q107	133
Q108	131
Q109	132
Q110	129

RESISTOR

SYMBOL NO.	INDEX NO.
R101	182
R102	182
R103	184
R104	184
R105	184
R106	184
R107	184
R108	184
R109	184
R110	184

SYMBOL NO.	INDEX NO.
R111	184
R112	184
R113	184
R114	184
R115	184
R116	184
R117	184
R118	184
R119	184
R120	184

SYMBOL NO.	INDEX NO.
R121	184
R122	184
R123	184
R124	184
R125	184
R126	184
R127	184
R128	184
R129	184
R130	184

RESISTOR

SYMBOL NO.	INDEX NO.
R131	184
R132	182
R133	182
R134	182
R135	182
R136	182
R137	167
R138	167
R139	178
R140	182

SYMBOL NO.	INDEX NO.
R141	182
R142	167
R143	167
R144	167
R145	167
R146	182
R147	173
R148	182
R149	177
R150	173

SYMBOL NO.	INDEX NO.
R151	176
R152	171
R153	171
R154	171
R155	177
R156	177
R157	177
R158	171
R159	171
R160	177

SYMBOL NO.	INDEX NO.
R161	177
R162	177
R163	177
R164	171
R165	177
R166	177
R167	171
R168	171
R169	168
R170	168

SYMBOL NO.	INDEX NO.
R171	177
R172	177
R173	177
R174	177
R175	177
R176	177
R177	177
R178	190
R179	188
R180	172

SYMBOL NO.	INDEX NO.
R181	182
R182	168
R183	182
R184	172
R185	170
R186	170
R187	182
R188	172
R189	173
R190	171

SYMBOL NO.	INDEX NO.
R191	171
R192	171
R193	171
R194	171
R195	171
R196	171
R197	171
R198	182
R199	168
R200	182

23.MAIN CONTROL BOARD NA (B599)

RESISTOR

SYMBOL NO.	INDEX NO.	SYMBOL NO.	INDEX NO.	SYMBOL NO.	INDEX NO.	SYMBOL NO.	INDEX NO.	SYMBOL NO.	INDEX NO.	SYMBOL NO.	INDEX NO.	SYMBOL NO.	INDEX NO.
R201	182	R211	187	R221	172	R231	177	R241	188	R251	175	R261	169
R202	170	R212	170	R222	172	R232	177	R242	177	R252	172	R262	176
R203	172	R213	182	R223	182	R233	177	R243	177	R253	190	R263	182
R204	172	R214	182	R224	182	R234	177	R244	172	R254	188	R264	182
R205	187	R215	172	R225	190	R235	171	R245	172	R255	171	R265	177
R206	186	R216	181	R226	188	R236	182	R246	172	R256	177	R266	177
R207	185	R217	172	R227	177	R237	182	R247	175	R257	182	R267	177
R208	185	R218	182	R228	177	R238	182	R248	172	R258	183	R268	177
R209	189	R219	180	R229	177	R239	182	R249	172	R259	174	R269	171
R210	185	R220	172	R230	177	R240	190	R250	182	R260	182	R270	177

RESISTOR

SYMBOL NO.	INDEX NO.
R271	179
R272	179
R273	172
R274	182
R275	171
R276	171
R277	177
R278	177
R279	177

RN

SYMBOL NO.	INDEX NO.
RN101	159
RN102	159
RN103	157
RN104	159
RN105	157
RN106	157
RN107	157
RN108	157
RN109	157
RN110	157

SYMBOL NO.	INDEX NO.
RN111	159
RN112	157
RN113	157
RN114	157
RN115	157
RN116	158
RN117	158
RN118	157
RN119	158
RN120	159

SYMBOL NO.	INDEX NO.
RN121	159
RN122	159
RN123	159
RN124	157
RN125	157
RN126	159
RN127	159

SW

SYMBOL NO.	INDEX NO.
SW101	128

TP

SYMBOL NO.	INDEX NO.
TP101	101
TP102	101
TP103	101
TP104	101

ZD

SYMBOL NO.	INDEX NO.
ZD101	135
ZD102	135
ZD103	137

23.MAIN CONTROL BOARD NA (B599)

Index No.	Part No.	Description	Q'ty Per Assembly
*	B599 5100	Printed Circuit Board:Main Control:Ass'y	1
1	A377 5150	IC - TC11DG03AF-0071	1
2	G565 5700	EPROM:Main Control	1

Index No.	Part No.	Description	Q'ty Per Assembly
101	1101 0328	Connector Pin Contact	
102	1102 4201	Connector - 2P	
103	1102 4203	CT Header - 4P	
104	1102 4204	CT Header - 5P	
105	1102 4205	CT Header - 6P	
106	1102 4206	Connector - 7P	
107	1102 4207	Connector - 8P	
108	1102 4208	Connector - 9P	
109	1102 4209	CT Header - 10P	
110	1102 4210	Connector - 11P	
111	1102 4212	CT Header - 15P	
112	1102 4464	CT Header(h) - 6P	
113	1102 4465	Connector - 7P	
114	1102 4497	Connector - 13P	
115	1102 4624	CT Connector - 7p	
116	1102 4625	CT Connector 8p	
117	1102 4626	Connector - 9P	
118	1102 4630	CT Connector	
119	1102 5007	CT Header - 14P	
120	1102 5301	Connector - 2P	
121	1102 6295	Connector - 2P	
122	1102 6301	Connector - 8P	
123	1102 6302	Connector - 9P	
124	1102 6956	Connector - 13P	
125	1104 0333	Fuse Holder	
126	1104 0589	DIP Socket - 32p	
127	1107 0884	Fuse - 5a 250v	
128	1204 1542	Dip Switch	
129	1400 0398	Transistor - 2SC2412K	
130	1400 0748	Transistor - FMG1A	
131	1400 0978	Transistor:2SB1381	
132	1400 0979	Transistor:2SD2079	
133	1400 0982	Transistor:2SB1495	
134	1400 0983	Transistor:2SD2257	
135	1402 1353	Diode - HZ12BP	

Index No.	Part No.	Description	Q'ty Per Assembly
136	1402 1506	Diode - ERA15-02	
137	1402 1507	Diode - UDZS8.2B	
138	1402 1559	Diode - ERC91-02	
139	1403 0519	Photocoupler - TLP621	
140	1407 1596	TTLIC - SN74LS14NS	
141	1407 2187	TTLIC - SN74LS07NS	
142	1407 2218	TTLIC - SN74LS06NS	
143	1407 2231	IC - TD62308AF	
144	1407 4316	IC - TD52308BF	
145	1407 4724	CPU - HD6413003TF-16	
146	1407 5341	IC - SN74LV00ANS	
147	1407 5387	IC - SN74LV04ANS	
148	1407 5393	IC - SN74LV541ANS	
149	1407 5414	IC - SN74LV14ANS	
150	1407 5513	IC - SN74LV02ANS	
151	1407 5744	IC - STK672-330	
152	1408 0611	IC - 3771	
153	1408 0827	IC - TA8429H	
154	1408 1200	IC - STK681-050	
155	1408 1287	IC - SI-8501L	
156	1503 0347	Oscillator - 12MHZ	
157	1601 7751	Resistor - 4.7K Ω \pm 5%	
158	1601 7752	Resistor Array - 10K Ω \pm 5%	
159	1601 7814	Resistor - 3.3K Ω \pm 5%	
160	1604 4300	Capacitor - 1 μ F \pm 20% 50V	
161	1604 4661	Capacitor - 100 μ F \pm 20% 50V	
162	1604 4708	Capacitor - 10 μ F \pm 20% 50V	
163	1604 4782	Capacitor - 470 μ F \pm 20% 16V	
164	1604 4873	Capacitor - 100 μ F \pm 20% 50V	
165	1605 1148	Capacitor - 0.1 μ F+80-20% 50V	
166	1607 0069	Fuse - BI02RN2-R62-PB	
167	1634 0000	Resistor - 0 Ω 1/16W	
168	1650 2562	Resistor:5.6K Ω : \pm 5%:1/4W	
169	1650 4100	Resistor - 10 Ω \pm 5% 1/10W	
170	1650 4101	Resistor - 100 Ω \pm 5%1/10W	

Index No.	Part No.	Description	Q'ty Per Assembly
171	1650 4102	Resistor - 1K Ω \pm 5% 1/10W	
172	1650 4103	Resistor - 10K Ω \pm 5% 1/10W	
173	1650 4122	Resistor - 1.2K Ω \pm 5% 1/10W	
174	1650 4161	Resistor - 160 Ω \pm 5% 1/10W	
175	1650 4203	Resistor - 20K Ω \pm 5% 1/10W	
176	1650 4222	Resistor - 2.2K Ω \pm 5%1/10W	
177	1650 4223	Resistor - 22K Ω \pm 5%1/10W	
178	1650 4330	Chip Resistor - 33 Ω \pm 5% 1/10W	
179	1650 4332	Resistor - 3.3K Ω \pm 5%1/10W	
180	1650 4362	Resistor - 3.6K Ω \pm 5%1/10W	
181	1650 4392	Chip Resistor - 3.9K Ω \pm 5%1/10W	
182	1650 4472	Resistor - 4.7K Ω \pm 5% 1/10W	
183	1650 4562	Resistor - 5.6K Ω \pm 5% 1/10W	
184	1650 4910	Resistor - 91 Ω \pm 5%1/10W	
185	1654 1002	Resistor - 10K Ω \pm 5%1/10W	
186	1654 2200	Resistor:220 Ω : \pm 1%:1/10W:1608	
187	1654 3900	Resistor:390 Ω : \pm 1%:1/10W	
188	1654 5100	Resistor:510 Ω : \pm 1%:1/10W	
189	1654 8200	Resistor - 820 Ω \pm 1%1/10W	
190	1654 9101	Resistor:9.1K Ω : \pm 1%:1/10W	
191	1660 2471	Capacitor - 470pF - \pm 5% - 50V	
192	1660 4102	Capacitor - 1000pF \pm 10% 50V	
193	1660 4103	Capacitor - 10000pF - \pm 10% - 50V	
194	1660 4472	Capacitor - 4700pF \pm 10% 50V	
195	1660 8104	Capacitor - 0.1 μ F+80-20% 25V	

24.MAIN CONTROL BOARD EU (B599)

CAPACITOR

SYMBOL NO.	INDEX NO.	SYMBOL NO.	INDEX NO.	SYMBOL NO.	INDEX NO.	SYMBOL NO.	INDEX NO.	SYMBOL NO.	INDEX NO.	SYMBOL NO.	INDEX NO.	SYMBOL NO.	INDEX NO.
C101	194	C111	188	C121	190	C131	194	C141	190	C151	191	C161	193
C102	194	C112	187	C122	187	C132	187	C142	194	C152	191	C162	191
C103	187	C113	194	C123	188	C133	194	C143	194	C153	191	C163	194
C104	187	C114	194	C124	187	C134	191	C144	194	C154	191	C164	191
C105	187	C115	157	C125	188	C135	158	C145	194	C155	191	C165	191
C106	187	C116	194	C126	194	C136	194	C146	191	C156	191	C166	194
C107	187	C117	194	C127	194	C137	193	C147	194	C157	193	C167	190
C108	194	C118	194	C128	194	C138	186	C148	191	C158	191	C168	193
C109	194	C119	187	C129	194	C139	187	C149	191	C159	193	C169	194
C110	187	C120	190	C130	187	C140	187	C150	191	C160	193	C170	194

CAPACITOR

SYMBOL NO.	INDEX NO.	SYMBOL NO.	INDEX NO.	SYMBOL NO.	INDEX NO.	SYMBOL NO.	INDEX NO.	SYMBOL NO.	INDEX NO.	SYMBOL NO.	INDEX NO.	SYMBOL NO.	INDEX NO.
C171	190	C181	191	C191	191	C201	193	C211	193	C221	191	C231	194
C172	193	C182	193	C192	194	C202	193	C212	194	C222	191	C232	194
C173	191	C183	191	C193	191	C203	191	C213	190	C223	191	C233	194
C174	191	C184	193	C194	194	C204	191	C214	190	C224	191	C234	192
C175	191	C185	193	C195	191	C205	191	C215	193	C225	191	C235	190
C176	190	C186	194	C196	191	C206	191	C216	194	C226	193	C236	194
C177	190	C187	194	C197	191	C207	194	C217	194	C227	191	C237	190
C178	194	C188	194	C198	191	C208	192	C218	194	---	---	C238	194
C179	194	C189	190	C199	194	C209	194	C219	190	C229	191	C239	193
C180	191	C190	193	C200	193	C210	194	C220	191	C230	191	C240	190

24.MAIN CONTROL BOARD EU (B599)

CAPACITOR

SYMBOL NO.	INDEX NO.
C241	190
C242	192
C243	194
C244	194
C245	194
C246	193
C247	191
C248	191
C249	193
C250	191

SYMBOL NO.	INDEX NO.
C251	191
C252	194
C253	190
C254	190
C255	194
C256	193
C257	194
C258	194
C259	193
C260	194

SYMBOL NO.	INDEX NO.
C261	193
C262	194
C263	193
C264	191
C265	189
C266	193
C267	191
C268	191
C269	191
C270	191

SYMBOL NO.	INDEX NO.
C271	194
C272	191
C273	191
C274	194
C275	191
C276	191

CONNECTOR

SYMBOL NO.	INDEX NO.
CN101	122
CN102	123
CN103	120
CN104	109
CN105	105
CN106	117
CN107	106
CN108	108
CN109	119
CN110	113

SYMBOL NO.	INDEX NO.
CN111	106
CN112	116
CN113	106
CN114	111
CN115	108
CN116	115
CN117	124
CN118	112
CN119	107
CN120	102

SYMBOL NO.	INDEX NO.
CN121	112
CN122	104
CN123	103
CN124	121
CN125	102
CN126	107
CN127	102
CN128	114
CN129	118
CN130	107

CONNECTOR

SYMBOL NO.	INDEX NO.
CN131	111
CN132	109
CN133	110
CN134	103

DIODE

SYMBOL NO.	INDEX NO.
D101	134
D102	134
D103	134
D104	136
D105	136
D106	134
D107	136
D108	134
D109	134
D110	136

RESISTOR

SYMBOL NO.	INDEX NO.
D111	136
D112	136
D113	136

DSP

SYMBOL NO.	INDEX NO.
DSP101	128

FB

SYMBOL NO.	INDEX NO.
FB101	159
FB102	159
FB103	159
FB104	159
FB105	159
FB106	159
FB107	159
FB108	159
FB109	159
FB110	159

SYMBOL NO.	INDEX NO.
FB111	159
FB112	159
FB113	159
FB114	159
FU101	127
FU101	125

IC

SYMBOL NO.	INDEX NO.
IC101	141
IC102	143
IC103	152
IC104	142
IC105	146
IC106	146
IC107	150
IC108	138
IC109	138
IC110	150

SYMBOL NO.	INDEX NO.
IC111	150
IC112	2
(Socket)	126
IC113	145
IC114	145
IC115	145
IC116	145
IC117	147
IC118	151
IC119	139
IC120	148

24.MAIN CONTROL BOARD EU (B599)

IC

SYMBOL NO.	INDEX NO.
IC121	1
IC122	152
IC123	152
IC124	152
IC125	152
IC126	149
IC127	141
IC128	152
IC129	152
IC130	140

CONNECTOR

SYMBOL NO.	INDEX NO.
IC131	143
IC132	143
IC133	144

OSC

SYMBOL NO.	INDEX NO.
OSC101	153

PC

SYMBOL NO.	INDEX NO.
PC101	137
PC102	137
PC103	137
PC104	137

Q

SYMBOL NO.	INDEX NO.
Q101	130
Q102	130
Q103	130
Q104	131
Q105	132
Q106	132
Q107	131
Q108	131
Q109	132
Q110	129

RESISTOR

SYMBOL NO.	INDEX NO.
R101	178
R102	178
R103	183
R104	183
R105	183
R106	183
R107	183
R108	183
R109	183
R110	183

SYMBOL NO.	INDEX NO.
R111	183
R112	183
R113	183
R114	183
R115	183
R116	183
R117	183
R118	183
R119	183
R120	183

SYMBOL NO.	INDEX NO.
R121	183
R122	183
R123	183
R124	183
R125	183
R126	183
R127	183
R128	183
R129	183
R130	183

RESISTOR

SYMBOL NO.	INDEX NO.
R131	183
R132	178
R133	178
R134	178
R135	178
R136	178
R137	185
R138	185
R139	173
R140	178

SYMBOL NO.	INDEX NO.
R141	178
R142	185
R143	185
R144	185
R145	185
R146	178
R147	163
R148	178
R149	172
R150	163

SYMBOL NO.	INDEX NO.
R151	171
R152	166
R153	166
R154	166
R155	172
R156	172
R157	172
R158	166
R159	166
R160	172

SYMBOL NO.	INDEX NO.
R161	172
R162	172
R163	172
R164	166
R165	172
R166	172
R167	166
R168	166
R169	160
R170	160

SYMBOL NO.	INDEX NO.
R171	172
R172	172
R173	172
R174	172
R175	172
R176	172
R177	172
R178	182
R179	179
R180	162

SYMBOL NO.	INDEX NO.
R181	164
R182	160
R183	164
R184	162
R185	161
R186	161
R187	164
R188	162
R189	163
R190	166

SYMBOL NO.	INDEX NO.
R191	166
R192	166
R193	166
R194	166
R195	166
R196	166
R197	166
R198	178
R199	160
R200	178

24.MAIN CONTROL BOARD EU (B599)

RESISTOR

SYMBOL NO.	INDEX NO.	SYMBOL NO.	INDEX NO.	SYMBOL NO.	INDEX NO.	SYMBOL NO.	INDEX NO.	SYMBOL NO.	INDEX NO.	SYMBOL NO.	INDEX NO.	SYMBOL NO.	INDEX NO.
R201	178	R211	176	R221	167	R231	172	R241	179	R251	169	R261	165
R202	161	R212	161	R222	167	R232	172	R242	172	R252	167	R262	171
R203	167	R213	178	R223	178	R233	172	R243	172	R253	182	R263	178
R204	167	R214	178	R224	178	R234	172	R244	167	R254	179	R264	178
R205	176	R215	167	R225	182	R235	166	R245	167	R255	166	R265	172
R206	170	R216	177	R226	179	R236	178	R246	167	R256	172	R266	172
R207	184	R217	167	R227	172	R237	178	R247	169	R257	178	R267	172
R208	184	R218	178	R228	172	R238	178	R248	167	R258	180	R268	172
R209	181	R219	175	R229	172	R239	178	R249	167	R259	168	R269	166
R210	184	R220	167	R230	172	R240	182	R250	178	R260	178	R270	172

RESISTOR

SYMBOL NO.	INDEX NO.	SYMBOL NO.	INDEX NO.	SYMBOL NO.	INDEX NO.
R271	174	RAY101	156	RAY111	156
R272	174	RAY102	156	RAY112	154
R273	167	RAY103	154	RAY113	154
R274	167	RAY104	156	RAY114	154
R275	166	RAY105	154	RAY115	154
R276	166	RAY106	154	RAY116	155
R277	172	RAY107	154	RAY117	155
R278	172	RAY108	154	RAY118	154
R279	172	RAY109	154	RAY119	155
		RAY110	154	RAY120	156

TP

SYMBOL NO.	INDEX NO.
RAY121	156
RAY122	156
RAY123	156
RAY124	154
RAY125	154
RAY126	156
RAY127	156

SYMBOL NO.	INDEX NO.
TP101	101
TP102	101
TP103	101
TP104	101

ZD

SYMBOL NO.	INDEX NO.
ZD101	133
ZD102	133
ZD103	135

24.MAIN CONTROL BOARD EU (B599)

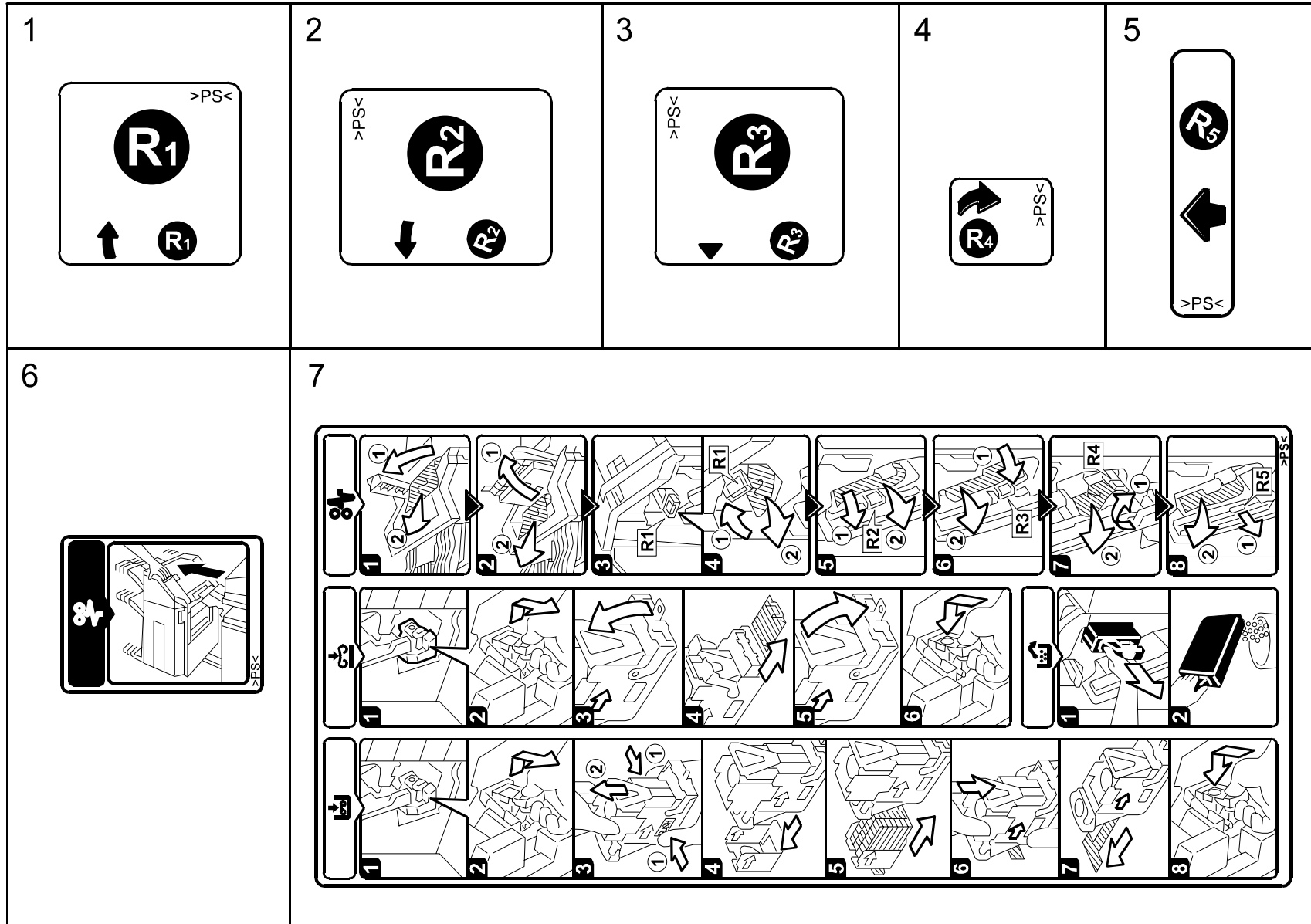
Index No.	Part No.	Description	Q'ty Per Assembly
*	G565 5530	Printed Circuit Board:Main Control:Ass'y	1
1	A377 5150	IC - TC11DG03AF-0071	1
2	G565 5700	EPROM:Main Control	1

Index No.	Part No.	Description	Q'ty Per Assembly
101	1101 0328	Connector Pin Contact	
102	1102 4201	Connector - 2P	
103	1102 4203	CT Header - 4P	
104	1102 4204	CT Header - 5P	
105	1102 4205	CT Header - 6P	
106	1102 4206	Connector - 7P	
107	1102 4207	Connector - 8P	
108	1102 4208	Connector - 9P	
109	1102 4209	CT Header - 10P	
110	1102 4210	Connector - 11P	
111	1102 4212	CT Header - 15P	
112	1102 4464	CT Header(h) - 6P	
113	1102 4465	Connector - 7P	
114	1102 4497	Connector - 13P	
115	1102 4624	CT Connector - 7p	
116	1102 4625	CT Connector 8p	
117	1102 4626	Connector - 9P	
118	1102 4630	CT Connector	
119	1102 5007	CT Header - 14P	
120	1102 5301	Connector - 2P	
121	1102 6295	Connector - 2P	
122	1102 6301	Connector - 8P	
123	1102 6302	Connector - 9P	
124	1102 6956	Connector - 13P	
125	1104 0333	Fuse Holder	
126	1104 0589	DIP Socket - 32p	
127	1107 0884	Fuse - 5A 250V	
128	1204 2368	DIP Switch - DSS804	
129	1400 0398	Transistor - 2SC2412K	
130	1400 0748	Transistor - FMG1A	
131	1400 0762	Transistor - 2SB1344	
132	1400 0763	Transistor - 2SD2025	
133	1402 1353	Diode - HZ12BP	
134	1402 1506	Diode - ERA15-02	
135	1402 1507	Diode - UDZS8.2B	

Index No.	Part No.	Description	Q'ty Per Assembly
136	1402 1559	Diode - ERC91-02	
137	1403 0519	Photocoupler - TLP621	
138	1407 1596	TTLIC - SN74LS14NS	
139	1407 2187	TTLIC - SN74LS07NS	
140	1407 2218	TTLIC - SN74LS06NS	
141	1407 2231	IC - TD62308AF	
142	1407 3202	CMOS IC - TC74HC00AF	
143	1407 3286	IC - TC74HC04AF	
144	1407 3290	IC - TC74HC02AF	
145	1407 3395	CMOS IC - TC74HC541AF	
146	1407 4316	IC - TD52308BF	
147	1407 4724	CPU - HD6413003TF-16	
148	1408 0611	IC - 3771	
149	1408 0827	IC - TA8429H	
150	1408 1200	IC - STK681-050	
151	1408 1287	IC - SI-8501L	
152	1408 1394	IC - STK672-110	
153	1503 0347	Oscillator - 12MHZ	
154	1601 7751	Resistor - 4.7K Ω \pm 5%	
155	1601 7752	Resistor Array - 10K Ω \pm 5%	
156	1601 7814	Resistor - 3.3K Ω \pm 5%	
157	1604 4782	Capacitor - 470 μ F \pm 20% 16V	
158	1604 4860	Capacitor - 100 μ F \pm 20% 50V	
159	1607 0069	Fuse - BI02rn2-r62-pb	
160	1630 1562	Resistor - 5.6 Ω \pm 5% 1/4W	
161	1630 3101	Resistor - 100 Ω - 1/10W	
162	1630 3103	Resistor - 10K Ω 1/10W \pm 5%	
163	1630 3122	Resistor - 1.2K Ω 1/10W \pm 5%	
164	1630 3472	Resistor - 4.7K Ω 1/10W \pm 5%	
165	1630 4100	Resistor - 10 Ω \pm 5% 1/16W	
166	1630 4102	Resistor - 1.0K Ω \pm 5% 1/16W	
167	1630 4103	Resistor - 10K Ω \pm 5% 1/16W	
168	1630 4161	Resistor - 160 Ω \pm 5% 1/16W	
169	1630 4203	Resistor - 20K Ω \pm 5% 1/16W	
170	1630 4221	Resistor - 220 Ω \pm 5% 1/16W	

Index No.	Part No.	Description	Q'ty Per Assembly
171	1630 4222	Resistor - 2.2K Ω \pm 5%	
172	1630 4223	Resistor - 22K Ω \pm 5% 1/16W	
173	1630 4330	Resistor - 33 Ω \pm 5% 1/8W	
174	1630 4332	Resistor - 3.3K Ω \pm 5% 1/16W	
175	1630 4362	Resistor - 3.6K Ω \pm 5% 1/16W	
176	1630 4391	Resistor - 390 Ω \pm 5.00% 1/16W	
177	1630 4392	Resistor - 3.9 Ω \pm 5% 1/16W	
178	1630 4472	Resistor - 4.7K Ω \pm 5% 1/16W	
179	1630 4511	Resistor - 510 Ω - \pm 5% - 1/16W	
180	1630 4562	Resistor - 5.6k Ω - \pm 5% - 1/16W	
181	1630 4821	Resistor - 820 Ω \pm 5% 1/16W	
182	1630 4822	Resistor - 8.2 Ω \pm 5% 1/16W	
183	1630 4910	Resistor - 91 Ω \pm 5% 1/16W	
184	1630 4912	Resistor - 9.1K Ω \pm 5% 1/16W	
185	1634 0000	Resistor - 0 Ω 1/16W	
186	1640 5100	Capacitor - 10 μ F \pm 20% 50	
187	1640 5101	Capacitor - 100 μ F \pm 20% 50V	
188	1640 5109	Capacitor - 1 μ F- \pm 20% - 50V	
189	1660 2471	Capacitor - 470pF - \pm 5% - 50V	
190	1660 4102	Capacitor - 1000pF \pm 10% 50V	
191	1660 4103	Capacitor - 10000pF - \pm 10% - 50V	
192	1660 4472	Capacitor - 4700pF \pm 10% 50V	
193	1660 7104	Capacitor - 100000pF 50V	
194	1660 8104	Capacitor - 0.1 μ F+80-20% 25V	

25.DECAL AND DOCUMENT (B599)



25.DECAL AND DOCUMENT (B599)

Index No.	Part No.	Description	Q'ty Per Assembly
1	B352 7101	Decal - R1	1
2	B352 7151	Decal - R2	1
3	B352 7201	Decal - R3	1
4	B352 7251	Decal - R4	1
5	B352 7301	Decal - R5	1
6	G565 7340	Slide Decal	1
7	G565 7351	Decal - Misfeed Removal	1

Index No.	Part No.	Description	Q'ty Per Assembly

Parts Index

Parts Index

Part No.	Description	Page and Index No.
B599 5100	Printed Circuit Board:Main Control:Ass'y (NA)	51 - 5
B599 5100	Printed Circuit Board:Main Control:Ass'y	53 - *
B599 5205	Harness - Interface Ass'y	51 - 3
B599 5340	Harness:Entrance:Set Sensor	51 - 8

Part No.	Description	Page and Index No.
A049 3371	Magnet	9 - 24
A300 2132	Guide Roller	25 - 20
A300 3634	Spring Plate - Timing Belt	21 - 17
A300 3731	Slide Supporter	25 - 13
A300 3759	Spring	23 - 5
A300 3812	Spacer - 6x22x1.5	25 - 5
A300 3813	Shaft - 6x21.5	23 - 11
A300 3851	Positioning Roller Bracket	19 - 29
A300 3858	Stepped Screw - M4	19 - 1
A300 3865	Release Spring	19 - 2
A353 3113	Pressure Spring	47 - 18
A353 3272	Guide Roller	37 - 10
A353 3272	Guide Roller	43 - 14
A353 3351	Exit Driven Roller	43 - 10
A353 3354	Driven Roller Holder	39 - 10
A376 1295	Spacer - M6x10x5	17 - 2
A376 1295	Spacer - M6x10x5	19 - 20
A377 4741	Roller - M14	27 - 3
A377 5150	IC - TC11DG03AF-0071	53 - 1
A377 5150	IC - TC11DG03AF-0071	57 - 1
A379 2212	Driven Roller Shaft	39 - 14
A379 2811	Positioning Roller Arm	19 - 28
A379 3316	Shift Guide Roller	43 - 4
A379 3316	Shift Guide Roller	33 - 4
A458 2251	Cushion - Bin Solenoid Lever	17 - 19
A458 2251	Cushion - Bin Solenoid Lever	19 - 10
A458 2251	Cushion - Bin Solenoid Lever	15 - 16
A606 1595	Small Door Cover	7 - 8
A612 1612	Bracket - Motor	47 - 13
A612 2435	Support Plate	17 - 7
A612 2435	Support Plate	9 - 6
A666 2213	Shift Tray Roller	43 - 13
A666 2347	Gear - Z45	43 - 25
A666 2347	Gear - Z45	33 - 11
A666 3180	Timing Pulley - Z32	21 - 7

Part No.	Description	Page and Index No.
A666 3180	Timing Pulley - Z32	23 - 16
A666 4170	Stepped Screw - M3x6	41 - 25
A666 4260	Entrance Roller	31 - 17
A680 1181	Magnetic Catch	9 - 22
A681 2702	Worm Wheel - 20z	45 - 5
A681 2711	Worm Gear - 50z	45 - 6
A681 3316	Shift Tray Worm	35 - 11
A697 1100	Right Stay	19 - 21
A697 1117	Base Plate Cap	23 - 1
A697 1125	Stepped Screw - Lever	13 - 13
A697 1125	Stepped Screw - Lever	29 - 19
A697 1125	Stepped Screw - Lever	47 - 5
A697 1125	Stepped Screw - Lever	31 - 20
A697 1125	Stepped Screw - Lever	25 - 10
A697 1125	Stepped Screw - Lever	21 - 12
A697 1151	Hopper Bracket	13 - 10
A697 1518	Spring - Oil Blade	47 - 4
A697 1606	Spacer - 6x12x2.7mm	43 - 12
A697 2102	Damper - Junction Gate Solenoid	47 - 15
A697 2102	Damper - Junction Gate Solenoid	35 - 20
A697 2105	Bracket - Junction Gate Solenoid	47 - 2
A697 2131	Antistatic Brush	45 - 3
A697 2131	Antistatic Brush	39 - 3
A697 2145	Entrance Sensor Bracket	13 - 6
A697 2150	Lower Entrance Guide	13 - 5
A697 2187	Pressure Spring - 14.1mm	19 - 13
A697 2235	Bracket - Junction Gate Solenoid	47 - 26
A697 2245	Junction Gate - Proof Tray	15 - 17
A697 3195	Worm Wheel	45 - 17
A697 3200	Worm Wheel Shaft	45 - 18
A697 3205	Shift Sensor Bracket	45 - 13
A697 3210	Shift Motor Bracket	45 - 16
A697 3215	Pulley - 19T	45 - 20
A697 3220	Timing Belt - B40S2M112	45 - 19
A697 3225	Worm Wheel Shaft	47 - 20

Part No.	Description	Page and Index No.
A697 4150	Stepped Screw - M5	25 - 14
A697 4170	Pulley - 32T	21 - 15
A812 7323	Dust Hopper Stopper	13 - 12
A812 7331	Lock Spring	13 - 11
A821 1661	Interlock Switch Cover	19 - 18
A821 1662	Interlock Switch Lever	19 - 17
B302 4629	Guide Mylar	21 - 5
B312 1515	Stepping Motor - DC 6.2W (NA)	47 - 12
B312 1521	Timing Pulley - 20T	17 - 22
B312 1524	Motor Bracket	47 - 10
B312 1550	Stepping Motor - DC 6.2W	39 - 1
B312 1600	Tightener	47 - 7
B312 1605	Tightener	47 - 6
B312 1615	Tension Roller	31 - 14
B312 2100	Pre-stack Gate	17 - 18
B312 2105	Pre-stack Gate Solenoid	47 - 17
B312 2106	Bracket - Pre-stack Gate Solenoid	47 - 16
B312 2151	Left Guide - Vertical Transport	17 - 8
B312 2166	Vertical Guide	17 - 20
B312 2171	Middle Guide - Vertical Transport	17 - 11
B312 2172	Driven Roller	17 - 14
B312 2173	Support Plate	17 - 15
B312 2174	Pressure Spring - 12mm	17 - 13
B312 2176	Transport Roller	17 - 17
B312 2176	Transport Roller	15 - 20
B312 2187	Positioning Roller	19 - 33
B312 4121	Stepping Motor - DC6.069W	23 - 14
B312 4126	Pulley - 32T	23 - 20
B312 4145	Stepping Motor - DC 16.1W	25 - 2
B352 1600	Timing Pulley - S2M T24	41 - 2
B352 1600	Timing Pulley - S2M T24	31 - 2
B352 1601	Timing Belt - B40S2M196	47 - 9
B352 1602	Timing Pulley - T20-S2M	13 - 18
B352 1605	Timing Belt - B40S3M216	15 - 24
B352 1606	Timing Pulley - T20-S3M	15 - 23

Part No.	Description	Page and Index No.
B352 1606	Timing Pulley - T20-S3M	17 - 23
B352 1607	Timing Pulley - T20-S3M	15 - 2
B352 1607	Timing Pulley - T20-S3M	17 - 1
B352 1607	Timing Pulley - T20-S3M	19 - 5
B352 1610	Timing Belt - B40S3M612	47 - 8
B352 1617	Timing Belt - B40S3M759	47 - 14
B352 1624	Timing Pulley:T20S2M	31 - 21
B352 1630	Tension Spring	31 - 18
B352 1631	Timing Belt - B40S2M594	31 - 1
B352 1632	Timing Belt - B40S2M200	41 - 1
B352 2084	DC Solenoid Assembly	19 - 3
B352 2090	DC Solenoid Assembly	47 - 1
B352 2090	DC Solenoid Assembly	35 - 17
B352 2111	Guide Plate - Transport Cover	9 - 2
B352 2112	Link - Transport Cover	9 - 9
B352 2113	Link Spacer	9 - 7
B352 2131	Exit Guide	29 - 4
B352 2132	Front Exit Plate	29 - 5
B352 2133	Rear Exit Plate	29 - 6
B352 2135	Sector Gear - Transport Cover	9 - 19
B352 2136	Oil Damper Shaft	9 - 17
B352 2140	Oil Damper	9 - 15
B352 2200	Lower Guide Plate	19 - 9
B352 2201	Guide - Trailing Edge	19 - 11
B352 2203	Discharge Brush - Stapler Tray	19 - 7
B352 2204	Driven Roller	19 - 15
B352 2204	Driven Roller	9 - 5
B352 2204	Driven Roller	17 - 6
B352 2204	Driven Roller	15 - 10
B352 2205	Bushing - Driven Roller	9 - 4
B352 2205	Bushing - Driven Roller	19 - 14
B352 2205	Bushing - Driven Roller	17 - 5
B352 2205	Bushing - Driven Roller	15 - 9
B352 2206	Tension Spring - Lower Guide	19 - 8
B352 2207	Pad - Stapler Tray	39 - 16

Part No.	Description	Page and Index No.
B352 2235	Mylar - Exit Guide	15 - 3
B352 2365	Upper Left Pad	29 - 2
B352 2400	Exit Roller	31 - 6
B352 2400	Exit Roller	41 - 6
B352 2405	Outer Exit Roller	41 - 5
B352 2405	Outer Exit Roller	31 - 5
B352 2406	Exit Roller Shaft	31 - 4
B352 2406	Exit Roller Shaft	41 - 4
B352 2407	Reverse Roller - 20z	31 - 9
B352 2407	Reverse Roller - 20z	41 - 9
B352 2408	Gear - 26Z	41 - 7
B352 2408	Gear - 26Z	31 - 7
B352 2409	Idler Gear - 17z	41 - 8
B352 2409	Idler Gear - 17z	31 - 8
B352 2410	Front Arm - Reverse Roller	31 - 10
B352 2410	Front Arm - Reverse Roller	41 - 11
B352 2411	Rear Arm - Reverse Roller	41 - 10
B352 2411	Rear Arm - Reverse Roller	31 - 11
B352 2420	Guide Plate - Shift Tray	15 - 12
B352 2431	Sheet - Guide Plate	15 - 5
B352 2436	Exit Driven Roller	39 - 13
B352 2440	Junction Gate - Stapler Tray	15 - 15
B352 2445	Pulley - T31	19 - 4
B352 2446	Positioning Roller Shaft	19 - 31
B352 2600	Upper Transport Roller	15 - 19
B352 2610	Shift Transport Roller	15 - 7
B352 2620	Lower Transport Roller	17 - 16
B352 2620	Lower Transport Roller	13 - 8
B352 2630	Exit Roller - Stapler	19 - 6
B352 2650	Magnet Catch - 5n	15 - 11
B352 2650	Magnet Catch - 5n	9 - 1
B352 3013	Shaft - Upper Drive	33 - 12
B352 3016	Shaft - Lower Drive	43 - 26
B352 3100	Sensor Feeler	29 - 11
B352 3100	Sensor Feeler	41 - 21

Part No.	Description	Page and Index No.
B352 3101	Holder - Sensor Feeler	41 - 23
B352 3101	Holder - Sensor Feeler	29 - 10
B352 3145	Timing Pulley - T18	43 - 24
B352 3145	Timing Pulley - T18	33 - 9
B352 3146	Timing Pulley - T18	33 - 13
B352 3146	Timing Pulley - T18	43 - 23
B352 3160	Timing Belt - B60S5M1530	43 - 21
B352 3161	Timing Belt - B60S5M1055	33 - 8
B352 3165	Timing Belt Guide Plate	43 - 2
B352 3165	Timing Belt Guide Plate	33 - 2
B352 3170	Spacer	33 - 10
B352 3176	Cam:Paper Exit Unit	45 - 7
B352 3190	Driven Roller Link	39 - 4
B352 3195	Exit Switch Holder	45 - 10
B352 3205	Gear - 26Z	47 - 24
B352 3206	Worm Wheel - 30z	47 - 25
B352 3220	Roller Pad	41 - 27
B352 3220	Roller Pad	29 - 7
B352 3225	Pad - Switch Lever	41 - 15
B352 3225	Pad - Switch Lever	29 - 18
B352 3517	Slide Guide	35 - 1
B352 3571	Slider Bearing	37 - 3
B352 3572	Bushing - 6mm	37 - 1
B352 3575	Shaft - Upper Tray	37 - 2
B352 3576	Gear - 20Z	37 - 11
B352 3577	Shaft Cap	37 - 9
B352 3580	Worm Wheel - 40z	35 - 10
B352 3586	Shift - Worm Gear	35 - 14
B352 3587	Timing Belt - B0S2M104	35 - 12
B352 3591	Gear - 40Z	37 - 17
B352 3592	Idle Gear - 20z	37 - 15
B352 3593	Ratchet - Tray Lock	37 - 19
B352 3594	Torque Limiter - 100mn	37 - 18
B352 3595	Rear Shaft - Upper Tray	37 - 13
B352 3605	Upper Guide - End Fence	33 - 15

Part No.	Description	Page and Index No.
B352 3608	Tension Spring - End Fence	33 - 18
B352 3629	End Fence Roller	33 - 16
B352 3655	Switch Holder	29 - 16
B352 3655	Switch Holder	41 - 13
B352 3655	Switch Holder	35 - 5
B352 3656	Compression Spring - Switch	9 - 12
B352 3656	Compression Spring - Switch	29 - 14
B352 3656	Compression Spring - Switch	41 - 18
B352 3656	Compression Spring - Switch	35 - 3
B352 3705	Lock Lever - Upper Tray	35 - 19
B352 3833	Short Cushion - Base	43 - 11
B352 3835	Tray Shift Shaft	43 - 9
B352 3844	Long Cushion - Base	43 - 15
B352 3845	Slider Pawl	43 - 17
B352 4052	Stack Feed-out Belt Assembly	23 - 12
B352 4100	Stapler Tray	23 - 17
B352 4131	Front Jogger Fence	21 - 20
B352 4141	Rear Jogger Fence	21 - 28
B352 4152	Upper Slider - Jogger Fence	21 - 3
B352 4162	Jogger Fence Slider	21 - 18
B352 4165	Slider Shaft - Jogger Fence	21 - 16
B352 4175	Timing Pulley - Jogger Drive	21 - 25
B352 4185	Timing Belt - 940P2M4	21 - 26
B352 4215	Shaft - Jogger Fence	21 - 1
B352 4215	Shaft - Jogger Fence	23 - 4
B352 4221	Front Training Edge Fence	23 - 6
B352 4231	Rear Training Edge Fence	23 - 9
B352 4232	Slider - Training Edge Fence	23 - 3
B352 4251	Upper Exit Shaft	23 - 21
B352 4255	Timing Belt - 258P2M4	23 - 19
B352 4261	Tightener - Exit Belt	21 - 8
B352 4315	Spring - 18n	27 - 2
B352 4316	Stopper - Timing Belt	25 - 17
B352 4318	Bushing - Lower Slider	25 - 15
B352 4331	Sector Gear - Staple Unit	27 - 5

Part No.	Description	Page and Index No.
B352 4347	Bushing - 6mm	27 - 12
B352 4351	Gear - 46Z/25Z	27 - 7
B352 4352	Gear - 46Z/19Z	27 - 14
B352 4353	Pinion - 46Z/18Z	27 - 15
B352 4354	Gear - 27Z	27 - 8
B352 4358	Stapler Base Cover	27 - 21
B352 4378	Stapler Cover	27 - 22
B352 4379	Lower Guide Plate	27 - 19
B352 4380	Stapler - EH530 (EU)	27 - 18
B352 4415	Guide Rod	25 - 19
B352 4421	Timing Pulley - Drive	25 - 4
B352 4422	Timing Belt - 918P3M4	25 - 6
B352 5450	Bushing - CE-012LV0	41 - 16
B352 7101	Decal - R1	15 - 13
B352 7101	Decal - R1	59 - 1
B352 7151	Decal - R2	17 - 9
B352 7151	Decal - R2	59 - 2
B352 7201	Decal - R3	17 - 12
B352 7201	Decal - R3	59 - 3
B352 7251	Decal - R4	19 - 12
B352 7251	Decal - R4	59 - 4
B352 7301	Decal - R5	59 - 5
B352 7301	Decal - R5	21 - 6
B352 7507	Punch Screw	11 - 1
B408 1413	Coupling Stay	13 - 15
B408 5355	Harness:Connecting:280mm	29 - 23
B468 5750	Stepper Motor - DC 12.4W (EU)	47 - 12
B545 1120	Stay - Stapler Tray	23 - 18
B545 1135	Angle:Harness Clamp	13 - 2
B545 1140	Boardd Bracket	51 - 4
B545 1150	Upper Cover Bracket	51 - 1
B545 1620	Exit Roller Bracket	39 - 2
B545 1625	Bracket:Tightener:Ass'y	31 - 19
B545 2101	Guide Plate - Entrance Cover	9 - 23
B545 2105	Film:Shielding Plate	9 - 25

Part No.	Description	Page and Index No.
B545 2110	Upper Guide Plate	15 - 21
B545 2120	Upper Guide Plate - Exit	31 - 16
B545 2124	Upper Guide Plate - Exit Small	29 - 3
B545 2125	Upper Bracket - Paper Exit Unit	29 - 8
B545 2126	Upper Bracket - Paper Feed Sensor	29 - 22
B545 2137	Bracket - Oil Damper	9 - 16
B545 2138	Bracket - Entrance Cover	9 - 20
B545 2139	Bracket - Transport Cover	9 - 18
B545 2210	Vertical Transport Guide	17 - 24
B545 2215	Exit Sensor Bracket	19 - 24
B545 2217	Exit Guide Plate	15 - 4
B545 2220	Stay:Guide:Trailing Edge:Ass'y	19 - 16
B545 2415	Lower Guide Plate	39 - 15
B545 2425	Lower4 Turn Guide Plate	15 - 18
B545 2430	Guide Plate - Turn Gate	15 - 6
B545 2437	Guide Plate:Exit:Moveable	39 - 11
B545 2438	Bracket:Guide:Exit	39 - 6
B545 2450	Support Plate - Guide Plate	15 - 14
B545 2500	Guide Plate:Auxiliary:Punch:Ass'y	11 - 4
B545 2505	Front Cover - Hopper	11 - 5
B545 2506	Rear Cover - Punch Unit	11 - 2
B545 3102	Micro Switch Lever	29 - 17
B545 3102	Micro Switch Lever	41 - 14
B545 3105	Bracket - Micro Switch	41 - 17
B545 3105	Bracket - Micro Switch	29 - 15
B545 3110	End Fence	43 - 18
B545 3115	Sensor Bracket	43 - 19
B545 3120	Stay - Upper Exit	45 - 2
B545 3125	Stay - Lower Exit	45 - 1
B545 3130	Exit Stay	29 - 20
B545 3131	Upper Left Stay	45 - 12
B545 3135	Stay - Positioning Sensor	51 - 12
B545 3140	End Fence Cover	43 - 6
B545 3150	Lower Tighter	43 - 22
B545 3155	Upper Tighter	33 - 14

Part No.	Description	Page and Index No.
B545 3180	Motor Bracket	45 - 8
B545 3185	Bracket - Open Link	39 - 5
B545 3200	Bracket - Tray Lift Motor	47 - 21
B545 3210	Exit Roller Cover	41 - 26
B545 3215	Adjusting Bracket - Sensor Feeler	29 - 9
B545 3215	Adjusting Bracket - Sensor Feeler	41 - 22
B545 3510	Base - Upper Tray	35 - 6
B545 3515	Front Stopper - Tray Shift	35 - 7
B545 3516	Base Bracket	35 - 2
B545 3520	Side Plate - Upper Front	33 - 6
B545 3530	Side Plate - Upper Rear	33 - 3
B545 3560	Base - Shift	37 - 16
B545 3570	Support Plate - Tray Shift	37 - 4
B545 3585	Motor Bracket	35 - 13
B545 3601	End Fence	33 - 17
B545 3650	Bracket - Tray Safety Switch	35 - 4
B545 3700	Bracket - Lock Lever	35 - 21
B545 3761	Base Cover	33 - 22
B545 3766	Slide Cover	35 - 8
B545 3771	Upper Harness - Shift Tray	37 - 8
B545 3771	Upper Harness - Shift Tray	51 - 2
B545 3812	Side Plate - Lower Front	43 - 3
B545 3822	Side Plate - Lower Back	43 - 5
B545 3830	Base - Lower Tray	43 - 8
B545 3840	Lower Tray Holder	43 - 16
B545 4079	Stapler Unit	27 - 23
B545 4111	Side Plate - Front Tray - Stapler	21 - 21
B545 4121	Rear Side Plate - Stapler Tray	21 - 27
B545 4151	Upper Stay - Jogger Fence	21 - 2
B545 4153	Upper Bracket - Jogger Fence	21 - 4
B545 4161	Jogger Fence Stay	21 - 11
B545 4163	Jogger Fence Bracket	21 - 19
B545 4171	Jogger Motor Bracket	21 - 24
B545 4181	Tightener	21 - 14
B545 4211	Slider Fence Stay	23 - 2

Part No.	Description	Page and Index No.
B545 4245	Bracket - Pull Out Sensor	21 - 9
B545 4311	Stapler Unit Slider	25 - 18
B545 4317	Fence Hook	25 - 16
B545 4321	Lower Slider - Staple Unit	27 - 1
B545 4327	Holder:Harness:Stapler	27 - 4
B545 4355	Slider Holder - Stapler Unit	27 - 6
B545 4362	Bracket:Sensor:Diagonal,slanted	27 - 9
B545 4371	Stapler Base	27 - 16
B545 4391	Slider:Turn:Ass'y	27 - 13
B545 4411	Bracket - Stapler Movement	25 - 3
B545 4431	Tightener Bracket	25 - 9
B545 5210	Harness:Safety Switch	51 - 10
B545 5210	Harness:Safety Switch	19 - 19
B545 5215	Harness:Sensor:Entrance	19 - 22
B545 5215	Harness:Sensor:Entrance	51 - 7
B545 5220	Harness:Sensor:Paper Sensor	51 - 6
B545 5220	Harness:Sensor:Paper Sensor	29 - 13
B545 5225	Harness:Sensor:Shift Tray	51 - 11
B545 5230	Harness:Stapler Tray:Upper	23 - 13
B545 5230	Harness:Stapler Tray:Upper	51 - 13
B545 5235	Harness - Stapler	27 - 17
B545 5240	Harness:Motor:Rising Tray	51 - 14
B545 5240	Harness:Motor:Rising Tray	45 - 21
B545 5245	Harness:Shift Tray:Lower	51 - 16
B545 5245	Harness:Shift Tray:Lower	41 - 12
B545 5250	Harness:Shift Tray:Upper	51 - 15
B545 5300	Harness:Connecting:240mm	13 - 4
B545 5305	Harness:Connecting:430mm	39 - 7
B545 5310	Harness:Connecting:560mm	25 - 8
B545 5320	Harness:Connecting:Shift Tray	45 - 15
B545 5325	Harness:Connecting:Paper Sensor	41 - 19
B545 6203	Upper Hinge - Frontdoor	7 - 12
B545 6206	Lower Hinge - Front Door	7 - 5
G011 3275	Snap Ring	37 - 6
G020 2630	Magnetic Catch	7 - 9

Part No.	Description	Page and Index No.
G020 4429	Exit Sensor	21 - 10
G034 2986	Flanged Hexagonal Head Bolt - M4x8	7 - 108
G034 2993	Flanged Hexagonal Head Bolt - M3x6	11 - 3
G522 1152	Flanged Hexagonal Head Bolt	7 - 29
G565 1140	Caster:40kgf	7 - 27
G565 1200	Front Supporter	11 - 6
G565 1205	Inner Back Supporter	11 - 14
G565 1210	Positioning Pin Guide	11 - 13
G565 1215	Coupling Cover	11 - 7
G565 1220	Coupling Stay	11 - 12
G565 1225	Magnet Catch - 78.4n	11 - 9
G565 1230	Ground Plate - Door Catch	11 - 11
G565 1235	Coupling Rail Bracket	25 - 1
G565 1301	Coupling Rail	7 - 26
G565 1302	Caster - KD25NM	7 - 25
G565 1304	Rail Cushion	7 - 15
G565 1304	Rail Cushion	7 - 31
G565 1305	Tape:Rail	7 - 30
G565 1315	Fixing Stay	7 - 18
G565 1320	Stay Coupling Shaft	7 - 20
G565 1325	Torsion Spring	7 - 19
G565 1330	Stay Guide Plate	7 - 17
G565 1340	Paper Bank Rail Stay	7 - 21
G565 1345	Slide Rail Guide	7 - 24
G565 1346	Rail Guide Tape	7 - 23
G565 1350	Paper Bank Ground Plate	7 - 22
G565 2100	Transport Cover	9 - 13
G565 2110	Compression Spring - Transportcover	9 - 8
G565 2135	Exit Plate	39 - 12
G565 2135	Exit Plate	31 - 12
G565 2151	Entrance Cover	9 - 21
G565 2222	Guide - Trailing Edge	19 - 35
G565 2250	Guide Plate - Connecting Ass'y	13 - 7
G565 2253	Discharge Brush	13 - 1
G565 3611	End Fence Guide Plate	33 - 20

Part No.	Description	Page and Index No.
G565 3621	Front End Fence Rail	33 - 21
G565 3631	Rear End Fence Rail	33 - 19
G565 3751	Upper Base Cover	37 - 12
G565 3911	Shift Tray	7 - 3
G565 3921	Slide Tray	7 - 2
G565 4234	Front Entrance Guide	23 - 7
G565 4235	Rear Fence Guide	23 - 8
G565 4377	Upper Entrance Guide	27 - 20
G565 5530	Printed Circuit Board:Main Control:Ass'y (EU)	51 - 5
G565 5530	Printed Circuit Board:Main Control:Ass'y	57 - *
G565 5700	EPROM:Main Control	57 - 2
G565 5700	EPROM:Main Control	53 - 2
G565 6100	Upper Cover	7 - 14
G565 6111	Lower Right Cover	7 - 13
G565 6120	Coupling Guard Cover	13 - 16
G565 6130	Rear Cover - Side Plate	47 - 27
G565 6201	Front Cover	7 - 7
G565 6202	Auxiliary Grip Cover	7 - 10
G565 6301	Rear Cover	7 - 1
G565 6401	Left Upper Cover	29 - 1
G565 6451	Lower Left Cover	7 - 4
G565 6501	Inner Cover	7 - 6
G565 6601	Front Upper Tray Cover	33 - 5
G565 6651	Rear Upper Tray Cover	33 - 1
G565 6701	Front Lower Tray Cover	43 - 1
G565 6751	Rear Lower Tray Cover	43 - 7
G565 7340	Slide Decal	7 - 16
G565 7340	Slide Decal	59 - 6
G565 7351	Decal - Misfeed Removal	7 - 11
G565 7351	Decal - Misfeed Removal	59 - 7
G800 3089	Bushing - 6mm	13 - 9

Part No.	Description	Page and Index No.
AA04 3054	Timing Belt - 142 P2M4	47 - 19
AA06 0092	Release Spring	35 - 18
AA06 0092	Release Spring	47 - 3
AA06 0557	Positioning Roller Spring	19 - 26
AA06 3529	Pressure Spring - 14.5mm	9 - 3
AA06 3529	Pressure Spring - 14.5mm	15 - 8
AA06 3529	Pressure Spring - 14.5mm	17 - 4
AA08 0238	Bushing - M6	41 - 3
AA08 0238	Bushing - M6	13 - 17
AA08 0238	Bushing - M6	15 - 1
AA08 0238	Bushing - M6	17 - 3
AA08 0238	Bushing - M6	31 - 15
AA12 0027	Antistatic Brush	39 - 9
AA12 0090	Discharge Brush L=320 Mm3	31 - 13
AA16 1099	Lever Cushion	19 - 25
AB01 3709	Worm Gear	47 - 23
AB03 0278	Idler - 20z	25 - 11
AG07 0004	Magnetic Catch	11 - 10
AG07 1010	Magnet Catch	17 - 10
AH01 2019	Caser	7 - 28
AJ01 1015	Stapler:EH-530 (NA)	27 - 18
AW01 0070	Photosensor - PS-R11D1-B	39 - 8
AW01 0070	Photosensor - PS-R11D1-B	13 - 14
AW01 0089	Photosensor - GP2A28C	13 - 3
AW01 0089	Photosensor - GP2A28C	43 - 20
AW01 0093	Photo Reflection Sensor - PS-17ND1	23 - 10
AW02 0049	Photointerruptor - Os - 580213-703	19 - 23
AW02 0075	Photointerruptor	35 - 9
AW02 0075	Photointerruptor	45 - 11
AW02 0086	Photointerruptor	41 - 20
AW02 0086	Photointerruptor	25 - 7
AW02 0086	Photointerruptor	29 - 12
AW02 0086	Photointerruptor	21 - 23
AW02 0086	Photointerruptor	9 - 14
AW02 0104	Photointerruptor	29 - 21

Part No.	Description	Page and Index No.
AW02 0114	Photo Interruptor - Lower Limit	51 - 9
AW02 0114	Photo Interruptor - Lower Limit	27 - 10
AW02 0114	Photo Interruptor - Lower Limit	37 - 5
AW50 0012	Push Switch	11 - 8
AX04 0053	DC Motor - 24V/2.2W	45 - 9
AX04 0121	Stepping Motor - DC 6.5W	47 - 11
AX05 0115	DC Motor - 24V 7.2W	45 - 14
AX05 0160	Stepper Motor - DC 20W	21 - 22
AX05 0160	Stepper Motor - DC 20W	27 - 11
AX05 0161	DC Motor - DC24V 7.2W	35 - 16
AX06 0211	DC Motor - NA4056D05	47 - 22
AX21 0069	Magnetic Clutch - Z30	37 - 7

Part No.	Description	Page and Index No.
0313 0040B	Philips Pan Head Screw - M3x4	47 -102
0313 0050B	Philips Pan Head Screw - M3x5	35 -108
0313 0050B	Philips Pan Head Screw - M3x5	47 -106
0313 0100B	Philips Pan Head Screw - M3x10	39 -109
0313 0100B	Philips Pan Head Screw - M3x10	13 -107
0313 0120B	Philips Pan Head Screw - M3x12	13 -101
0313 0120B	Philips Pan Head Screw - M3x12	43 -105
0353 0050B	Philips Truss Head Screw - M3x5	25 -104
0353 0060B	Philips Pan Head Screw - M3x6	29 -101
0450 3008B	Tapping Screw - M3x8	21 -107
0450 3008B	Tapping Screw - M3x8	15 -105
0450 3008B	Tapping Screw - M3x8	17 -106
0450 3008B	Tapping Screw - M3x8	23 -106
0450 3008B	Tapping Screw - M3x8	7 -104
0450 3010B	Tapping Screw - M3x10	9 -101
0450 4008B	Tapping Screw - 4x8	39 -106
0451 3006B	Tapping Screw - M3x6	35 -101
0451 3006B	Tapping Screw - M3x6	23 -102
0451 3006B	Tapping Screw - M3x6	33 -102
0451 3006B	Tapping Screw - M3x6	37 -105
0451 3006B	Tapping Screw - M3x6	39 -102
0451 3006B	Tapping Screw - M3x6	51 -101
0451 3006B	Tapping Screw - M3x6	25 -102
0451 3006B	Tapping Screw - M3x6	21 -102
0451 3006B	Tapping Screw - M3x6	31 -104
0451 3006B	Tapping Screw - M3x6	19 -103
0451 3006B	Tapping Screw - M3x6	29 -102
0451 3006B	Tapping Screw - M3x6	11 -102
0451 3006B	Tapping Screw - M3x6	7 -105
0451 3006B	Tapping Screw - M3x6	47 -101
0451 3006B	Tapping Screw - M3x6	9 -104
0451 3006B	Tapping Screw - M3x6	45 -102
0451 3006B	Tapping Screw - M3x6	15 -101
0451 3006B	Tapping Screw - M3x6	13 -103
0451 3006B	Tapping Screw - M3x6	43 -101

Part No.	Description	Page and Index No.
0451 3006B	Tapping Screw - M3x6	27 -105
0451 3006B	Tapping Screw - M3x6	41 -104
0451 3008B	Tapping Screw - M3x8	27 -106
0451 3008B	Tapping Screw - M3x8	11 -103
0451 3008B	Tapping Screw - M3x8	23 -103
0451 3008B	Tapping Screw - M3x8	25 -108
0451 3008B	Tapping Screw - M3x8	21 -101
0451 3008B	Tapping Screw - M3x8	47 -103
0451 3008H	Tapping Screw - M3x8	43 -102
0451 3008H	Tapping Screw - M3x8	33 -101
0451 3008H	Tapping Screw - M3x8	7 -102
0451 3008H	Tapping Screw - M3x8	29 -107
0451 3008H	Tapping Screw - M3x8	13 -108
0451 4006B	Tapping Screw - 4x6	17 -101
0451 4006B	Tapping Screw - 4x6	19 -101
0451 4006B	Tapping Screw - 4x6	39 -108
0451 4006B	Tapping Screw - 4x6	47 -110
0451 4006B	Tapping Screw - 4x6	9 -102
0451 4008B	Philips Tapping Screw - M4x8	7 -106
0451 4008B	Philips Tapping Screw - M4x8	25 -101
0452 3008B	Tapping Screw - M3x8	33 -107
0452 3008B	Tapping Screw - M3x8	17 -105
0453 3006B	Tapping Screw - M3x6	33 -106
0453 3006B	Tapping Screw - M3x6	27 -107
0453 3006B	Tapping Screw - M3x6	47 -104
0453 3006B	Tapping Screw - M3x6	21 -104
0574 0040E	Hexagon Headless Set Screw - M4x4	47 -108
0623 0120E	Spring Pin - M3x12	19 -104
0632 0080G	Parallel Key - 2x8mm	31 -108
0632 0080G	Parallel Key - 2x8mm	41 -107
0632 0100G	Pin - 2x10mm	41 -102
0632 0100G	Pin - 2x10mm	31 -102
0632 0120G	Parallel Pin - 2x12	37 -107
0720 0040B	Retaining Ring - M4	17 -102
0720 0040B	Retaining Ring - M4	39 -107

Part No.	Description	Page and Index No.
0720 0040B	Retaining Ring - M4	31 -101
0720 0040B	Retaining Ring - M4	15 -103
0720 0040B	Retaining Ring - M4	17 -103
0720 0040B	Retaining Ring - M4	37 -106
0720 0040B	Retaining Ring - M4	37 -104
0720 0040B	Retaining Ring - M4	19 -102
0720 0040B	Retaining Ring - M4	35 -104
0720 0040B	Retaining Ring - M4	33 -105
0720 0040B	Retaining Ring - M4	41 -101
0720 0040B	Retaining Ring - M4	29 -106
0720 0040B	Retaining Ring - M4	15 -102
0720 0040B	Retaining Ring - M4	21 -106
0720 0040B	Retaining Ring - M4	13 -102
0720 0040B	Retaining Ring - M4	43 -103
0720 0040B	Retaining Ring - M4	23 -107
0720 0040B	Retaining Ring - M4	45 -101
0720 0040B	Retaining Ring - M4	27 -102
0720 0040B	Retaining Ring - M4	9 -103
0720 0040B	Retaining Ring - M4	7 -107
0720 0040B	Retaining Ring - M4	25 -105
0720 0060B	Retaining Ring - M6	43 -106
0720 0060B	Retaining Ring - M6	45 -106
0720 0060B	Retaining Ring - M6	47 -105
0720 0060B	Retaining Ring - M6	25 -103
0720 0060B	Retaining Ring - M6	33 -103
0720 0060B	Retaining Ring - M6	27 -101
0720 0060B	Retaining Ring - M6	31 -107
0740 3008	Ball Bearing - 8x22x7	27 -103
0741 3506	Ball Bearing - 6x12x4 MM	47 -107
0742 3808	Ball Bearing - 8x16x5	33 -104
0742 3808	Ball Bearing - 8x16x5	43 -107
0800 0072	Philips Pan Head Screw - M2.6x4	45 -103
0802 5276	Tapping Screw With Washer - M3x6	7 -103
0802 5276	Tapping Screw With Washer - M3x6	35 -109
0802 5276	Tapping Screw With Washer - M3x6	37 -101

Part No.	Description	Page and Index No.
0802 5276	Tapping Screw With Washer - M3x6	9 -105
0802 5277	Tapping Screw	47 -111
0802 5277	Tapping Screw	35 -106
0802 5277	Tapping Screw	7 -101
0805 0088	Retaining Ring - M6	35 -107
0805 0089	Retaining Ring - M4	39 -103
0805 0089	Retaining Ring - M4	31 -103
0805 0089	Retaining Ring - M4	17 -104
0805 0089	Retaining Ring - M4	41 -103
0805 0089	Retaining Ring - M4	15 -104
0805 0089	Retaining Ring - M4	19 -105
0805 0092	Retaining Ring - 3m	35 -110
0805 3263	Bearing - 6x10x6mm	27 -104
0805 3385	Bushing - 6mm	23 -105
0807 5056	Washer - 8.1mm	47 -109
1101 0328	Connector Pin Contact	53 -101
1101 0328	Connector Pin Contact	57 -101
1102 4201	Connector - 2P	57 -102
1102 4201	Connector - 2P	53 -102
1102 4203	CT Header - 4P	57 -103
1102 4203	CT Header - 4P	53 -103
1102 4204	CT Header - 5P	53 -104
1102 4204	CT Header - 5P	57 -104
1102 4205	CT Header - 6P	53 -105
1102 4205	CT Header - 6P	57 -105
1102 4206	Connector - 7P	57 -106
1102 4206	Connector - 7P	53 -106
1102 4207	Connector - 8P	57 -107
1102 4207	Connector - 8P	53 -107
1102 4208	Connector - 9P	53 -108
1102 4208	Connector - 9P	57 -108
1102 4209	CT Header - 10P	53 -109
1102 4209	CT Header - 10P	57 -109
1102 4210	Connector - 11P	57 -110
1102 4210	Connector - 11P	53 -110

Part No.	Description	Page and Index No.
1102 4212	CT Header - 15P	57 -111
1102 4212	CT Header - 15P	53 -111
1102 4464	CT Header(h) - 6P	57 -112
1102 4464	CT Header(h) - 6P	53 -112
1102 4465	Connector - 7P	57 -113
1102 4465	Connector - 7P	53 -113
1102 4497	Connector - 13P	57 -114
1102 4497	Connector - 13P	53 -114
1102 4624	CT Connector - 7p	57 -115
1102 4624	CT Connector - 7p	53 -115
1102 4625	CT Connector 8p	53 -116
1102 4625	CT Connector 8p	57 -116
1102 4626	Connector - 9P	57 -117
1102 4626	Connector - 9P	53 -117
1102 4630	CT Connector	57 -118
1102 4630	CT Connector	53 -118
1102 5007	CT Header - 14P	57 -119
1102 5007	CT Header - 14P	53 -119
1102 5301	Connector - 2P	53 -120
1102 5301	Connector - 2P	57 -120
1102 6295	Connector - 2P	57 -121
1102 6295	Connector - 2P	53 -121
1102 6301	Connector - 8P	57 -122
1102 6301	Connector - 8P	53 -122
1102 6302	Connector - 9P	53 -123
1102 6302	Connector - 9P	57 -123
1102 6956	Connector - 13P	53 -124
1102 6956	Connector - 13P	57 -124
1104 0333	Fuse Holder	57 -125
1104 0333	Fuse Holder	53 -125
1104 0589	DIP Socket - 32p	53 -126
1104 0589	DIP Socket - 32p	57 -126
1105 0230	Clamp	29 -103
1105 0291	Harness Clamp - LWS-3S	51 -103
1105 0291	Harness Clamp - LWS-3S	23 -109

Part No.	Description	Page and Index No.
1105 0292	Wire Saddle	51 -102
1105 0310	Harness Clamp - LWS-1S	37 -103
1105 0310	Harness Clamp - LWS-1S	13 -106
1105 0310	Harness Clamp - LWS-1S	47 -113
1105 0310	Harness Clamp - LWS-1S	51 -104
1105 0310	Harness Clamp - LWS-1S	39 -101
1105 0310	Harness Clamp - LWS-1S	21 -105
1105 0310	Harness Clamp - LWS-1S	35 -102
1105 0310	Harness Clamp - LWS-1S	31 -105
1105 0310	Harness Clamp - LWS-1S	29 -108
1105 0328	Harness Clamp - ES-0505	25 -106
1105 0328	Harness Clamp - ES-0505	11 -104
1105 0328	Harness Clamp - ES-0505	39 -105
1105 0328	Harness Clamp - ES-0505	45 -107
1105 0329	Clamp - ES-0510	37 -102
1105 0329	Clamp - ES-0510	13 -105
1105 0329	Clamp - ES-0510	31 -106
1105 0334	Edge - 17	23 -101
1105 0410	Card Spacer - 9.4mm	23 -108
1105 0511	Harness Clamp - LWS-0306ZC	21 -103
1105 0511	Harness Clamp - LWS-0306ZC	19 -107
1105 0511	Harness Clamp - LWS-0306ZC	23 -104
1105 0511	Harness Clamp - LWS-0306ZC	11 -101
1105 0511	Harness Clamp - LWS-0306ZC	13 -104
1105 0511	Harness Clamp - LWS-0306ZC	45 -105
1105 0511	Harness Clamp - LWS-0306ZC	43 -104
1105 0511	Harness Clamp - LWS-0306ZC	41 -106
1105 0511	Harness Clamp - LWS-0306ZC	25 -107
1105 0511	Harness Clamp - LWS-0306ZC	47 -112
1105 0511	Harness Clamp - LWS-0306ZC	29 -104
1105 0511	Harness Clamp - LWS-0306ZC	51 -105
1105 0511	Harness Clamp - LWS-0306ZC	39 -104
1105 0522	Edge Saddle - Les0510	35 -103
1107 0884	Fuse - 5a 250v	53 -127
1107 0884	Fuse - 5A 250V	57 -127

Part No.	Description	Page and Index No.
1204 1542	Dip Switch	53 -128
1204 2368	DIP Switch - DSS804	57 -128
1204 2384	Interlock Switch	19 -106
1204 2543	Switch - DE2L-BJ22	29 -105
1204 2543	Switch - DE2L-BJ22	41 -105
1204 2543	Switch - DE2L-BJ22	35 -105
1204 2544	Switch - DE2L-BJ23	45 -104
1400 0398	Transistor - 2SC2412K	53 -129
1400 0398	Transistor - 2SC2412K	57 -129
1400 0748	Transistor - FMG1A	53 -130
1400 0748	Transistor - FMG1A	57 -130
1400 0762	Transistor - 2SB1344	57 -131
1400 0763	Transistor - 2SD2025	57 -132
1400 0978	Transistor:2SB1381	53 -131
1400 0979	Transistor:2SD2079	53 -132
1400 0982	Transistor:2SB1495	53 -133
1400 0983	Transistor:2SD2257	53 -134
1402 1353	Diode - HZ12BP	53 -135
1402 1353	Diode - HZ12BP	57 -133
1402 1506	Diode - ERA15-02	53 -136
1402 1506	Diode - ERA15-02	57 -134
1402 1507	Diode - UDZS8.2B	53 -137
1402 1507	Diode - UDZS8.2B	57 -135
1402 1559	Diode - ERC91-02	53 -138
1402 1559	Diode - ERC91-02	57 -136
1403 0519	Photocoupler - TLP621	53 -139
1403 0519	Photocoupler - TLP621	57 -137
1407 1596	TTLIC - SN74LS14NS	57 -138
1407 1596	TTLIC - SN74LS14NS	53 -140
1407 2187	TTLIC - SN74LS07NS	57 -139
1407 2187	TTLIC - SN74LS07NS	53 -141
1407 2218	TTLIC - SN74LS06NS	57 -140
1407 2218	TTLIC - SN74LS06NS	53 -142
1407 2231	IC - TD62308AF	57 -141
1407 2231	IC - TD62308AF	53 -143

Part No.	Description	Page and Index No.
1407 3202	CMOS IC - TC74HC00AF	57 -142
1407 3286	IC - TC74HC04AF	57 -143
1407 3290	IC - TC74HC02AF	57 -144
1407 3395	CMOS IC - TC74HC541AF	57 -145
1407 4316	IC - TD52308BF	57 -146
1407 4316	IC - TD52308BF	53 -144
1407 4724	CPU - HD6413003TF-16	53 -145
1407 4724	CPU - HD6413003TF-16	57 -147
1407 5341	IC - SN74LV00ANS	53 -146
1407 5387	IC - SN74LV04ANS	53 -147
1407 5393	IC - SN74LV541ANS	53 -148
1407 5414	IC - SN74LV14ANS	53 -149
1407 5513	IC - SN74LV02ANS	53 -150
1407 5744	IC - STK672-330	53 -151
1408 0611	IC - 3771	53 -152
1408 0611	IC - 3771	57 -148
1408 0827	IC - TA8429H	53 -153
1408 0827	IC - TA8429H	57 -149
1408 1200	IC - STK681-050	53 -154
1408 1200	IC - STK681-050	57 -150
1408 1287	IC - SI-8501L	57 -151
1408 1287	IC - SI-8501L	53 -155
1408 1394	IC - STK672-110	57 -152
1503 0347	Oscillator - 12MHZ	57 -153
1503 0347	Oscillator - 12MHZ	53 -156
1601 7751	Resistor - 4.7K Ω \pm 5%	57 -154
1601 7751	Resistor - 4.7K Ω \pm 5%	53 -157
1601 7752	Resistor Array - 10K Ω \pm 5%	57 -155
1601 7752	Resistor Array - 10K Ω \pm 5%	53 -158
1601 7814	Resistor - 3.3K Ω \pm 5%	57 -156
1601 7814	Resistor - 3.3K Ω \pm 5%	53 -159
1604 4300	Capacitor - 1 μ F \pm 20% 50V	53 -160
1604 4661	Capacitor - 100 μ F \pm 20% 50V	53 -161
1604 4708	Capacitor - 10 μ F \pm 20% 50V	53 -162
1604 4782	Capacitor - 470 μ F \pm 20% 16V	57 -157

Part No.	Description	Page and Index No.
1604 4782	Capacitor - 470 μ F \pm 20% 16V	53 -163
1604 4860	Capacitor - 100 μ F \pm 20% 50V	57 -158
1604 4873	Capacitor - 100 μ F \pm 20% 50V	53 -164
1605 1148	Capacitor - 0.1 μ F +80-20% 50V	53 -165
1607 0069	Fuse - BI02rn2-r62-pb	57 -159
1607 0069	Fuse - BI02RN2-R62-PB	53 -166
1630 1562	Resistor - 5.6 Ω \pm 5% 1/4W	57 -160
1630 3101	Resistor - 100 Ω - 1/10W	57 -161
1630 3103	Resistor - 10K Ω 1/10W \pm 5%	57 -162
1630 3122	Resistor - 1.2K Ω 1/10W \pm 5%	57 -163
1630 3472	Resistor - 4.7K Ω 1/10W \pm 5%	57 -164
1630 4100	Resistor - 10 Ω \pm 5% 1/16W	57 -165
1630 4102	Resistor - 1.0K Ω \pm 5% 1/16W	57 -166
1630 4103	Resistor - 10K Ω \pm 5% 1/16W	57 -167
1630 4161	Resistor - 160 Ω \pm 5% 1/16W	57 -168
1630 4203	Resistor - 20K Ω \pm 5% 1/16W	57 -169
1630 4221	Resistor - 220 Ω \pm 5% 1/16W	57 -170
1630 4222	Resistor - 2.2K Ω \pm 5%	57 -171
1630 4223	Resistor - 22K Ω \pm 5% 1/16W	57 -172
1630 4330	Resistor - 33 Ω \pm 5% 1/8W	57 -173
1630 4332	Resistor - 3.3K Ω \pm 5% 1/16W	57 -174
1630 4362	Resistor - 3.6K Ω \pm 5% 1/16W	57 -175
1630 4391	Resistor - 390 Ω \pm 5.00% 1/16W	57 -176
1630 4392	Resistor - 3.9 Ω \pm 5% 1/16W	57 -177
1630 4472	Resistor - 4.7K Ω \pm 5% 1/16W	57 -178
1630 4511	Resistor - 510 Ω - \pm 5% - 1/16W	57 -179
1630 4562	Resistor - 5.6k Ω - \pm 5% - 1/16W	57 -180
1630 4821	Resistor - 820 Ω \pm 5% 1/16W	57 -181
1630 4822	Resistor - 8.2 Ω \pm 5% 1/16W	57 -182
1630 4910	Resistor - 91 Ω \pm 5% 1/16W	57 -183
1630 4912	Resistor - 9.1K Ω \pm 5% 1/16W	57 -184
1634 0000	Resistor - 0 Ω 1/16W	57 -185
1634 0000	Resistor - 0 Ω 1/16W	53 -167
1640 5100	Capacitor - 10 μ F +20% 50	57 -186
1640 5101	Capacitor - 100 μ F \pm 20% 50V	57 -187

Part No.	Description	Page and Index No.
1640 5109	Capacitor - 1 μ F - \pm 20% - 50V	57 -188
1650 2562	Resistor:5.6K Ω : \pm 5%:1/4W	53 -168
1650 4100	Resistor - 10 Ω \pm 5% 1/10W	53 -169
1650 4101	Resistor - 100 Ω \pm 5%1/10W	53 -170
1650 4102	Resistor - 1K Ω \pm 5% 1/10W	53 -171
1650 4103	Resistor - 10K Ω \pm 5% 1/10W	53 -172
1650 4122	Resistor - 1.2K Ω \pm 5% 1/10W	53 -173
1650 4161	Resistor - 160 Ω \pm 5% 1/10W	53 -174
1650 4203	Resistor - 20K Ω \pm 5% 1/10W	53 -175
1650 4222	Resistor - 2.2K Ω \pm 5%1/10W	53 -176
1650 4223	Resistor - 22K Ω \pm 5%1/10W	53 -177
1650 4330	Chip Resistor - 33 Ω \pm 5% 1/10W	53 -178
1650 4332	Resistor - 3.3K Ω \pm 5%1/10W	53 -179
1650 4362	Resistor - 3.6K Ω \pm 5%1/10W	53 -180
1650 4392	Chip Resistor - 3.9K Ω \pm 5%1/10W	53 -181
1650 4472	Resistor - 4.7K Ω \pm 5% 1/10W	53 -182
1650 4562	Resistor - 5.6K Ω \pm 5% 1/10W	53 -183
1650 4910	Resistor - 91 Ω \pm 5%1/10W	53 -184
1654 1002	Resistor - 10K Ω \pm 5%1/10W	53 -185
1654 2200	Resistor:220 Ω : \pm 1%:1/10W:1608	53 -186
1654 3900	Resistor:390 Ω : \pm 1%:1/10W	53 -187
1654 5100	Resistor:510 Ω : \pm 1%:1/10W	53 -188
1654 8200	Resistor - 820 Ω \pm 1%1/10W	53 -189
1654 9101	Resistor:9.1K Ω : \pm 1%:1/10W	53 -190
1660 2471	Capacitor - 470pF - \pm 5% - 50V	53 -191
1660 2471	Capacitor - 470pF - \pm 5% - 50V	57 -189
1660 4102	Capacitor - 1000pF \pm 10% 50V	53 -192
1660 4102	Capacitor - 1000pF \pm 10% 50V	57 -190
1660 4103	Capacitor - 10000pF - \pm 10% - 50V	53 -193
1660 4103	Capacitor - 10000pF - \pm 10% - 50V	57 -191
1660 4472	Capacitor - 4700PF \pm 10% 50V	53 -194
1660 4472	Capacitor - 4700PF \pm 10% 50V	57 -192
1660 7104	Capacitor - 100000pF 50V	57 -193
1660 8104	Capacitor - 0.1 μ F +80-20% 25V	53 -195
1660 8104	Capacitor - 0.1 μ F +80-20% 25V	57 -194

Part No.	Description	Page and Index No.
5053 0447	Bushing - 6mm	15 - 22
5053 0447	Bushing - 6mm	17 - 25
5053 0447	Bushing - 6mm	19 - 27
5053 0447	Bushing - 6mm	41 - 24
5053 0447	Bushing - 6mm	37 - 14
5053 0447	Bushing - 6mm	45 - 4
5053 0447	Bushing - 6mm	23 - 15
5053 0447	Bushing - 6mm	31 - 3
5442 4121	Spring - Oil Blade	21 - 13
5442 4121	Spring - Oil Blade	25 - 12
5443 2668	Bushing - 4x6x7mm	35 - 15
5446 2824	Screw - Duplex Guide Plate	9 - 11
5446 2824	Screw - Duplex Guide Plate	33 - 7
5447 2681	Snap Ring	9 - 10
5447 2681	Snap Ring	19 - 34
5447 2681	Snap Ring	17 - 21
5919 2127	Positioning Roller Pulley	19 - 30
5919 2132	Positioning Roller Belt	19 - 32

Part No.	Description	Page and Index No.